

Dunaújváros

A Dunaújvárosi Egyetem online folyóirata 2021. IX. évfolyam VI. szám

Műszaki-, Informatikai és Társadalomtudományok

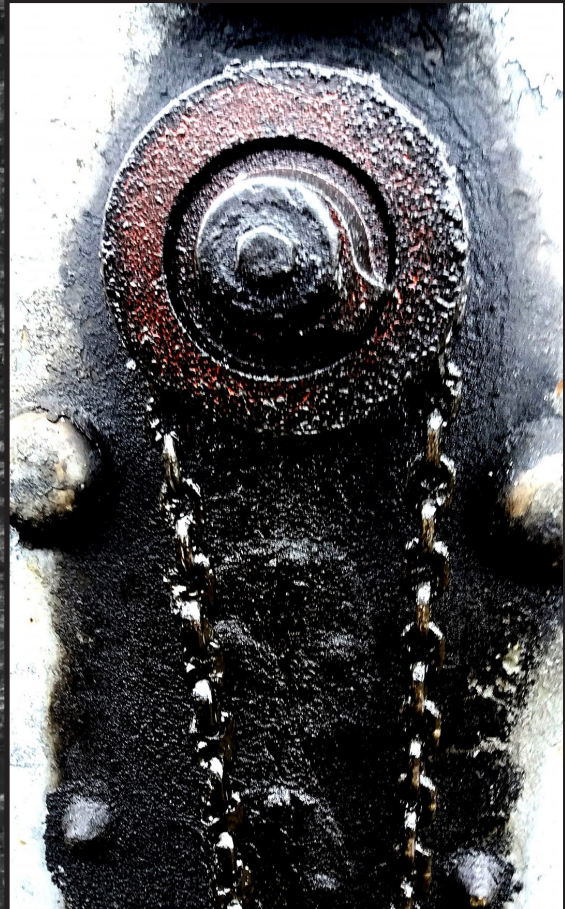
DAVIT OKUJAVÁ-ORSOLYA FALUS
Fake News – Propaganda – Troll-
ing: Thoughts along Ethics and Law

POTÓCZKI JUDIT
The development of the level of fi-
nancial literacy in Hungary based
on OECD surveys of the past decade

ZAKOTA ZOLTÁN
Katasztrófaetika az ökológiai
diskurzusban

SUDÁR ANNA-BERKI BORBÁLA
Végrehajtó funkciók mérésének le-
hetőségei MaxWhere virtuális való-
ságban

BURKUS ERVIN ET AL.
Innovatív képfeldolgozási
eljárások kutatása, tomográfiai
mérési eljárások fejlesztése



Dunakavics

A Dunaújvárosi Egyetem online folyóirata 2021. IX. évfolyam VI. szám

Műszaki-, Informatikai és Társadalomtudományok

MEGJELENIK ÉVENTE 12 ALKALOMMAL

SZERKESZTŐBIZOTTSÁG

András István, Bacsa-Bán Anetta, Balázs László,
Nagy Bálint, Németh István, Pázmán Judit, Rajcsányi-Molnár Mónika.

Felelős szerkesztő Németh István
Tördelés Duma Attila

Szerkesztőség és a kiadó címe 2400 Dunaújváros, Táncsics M. u. 1/a.

Kiadja DUE Press, a Dunaújvárosi Egyetem kiadója
Felelős kiadó Dr. habil András István, rektor



A lap megjelenését támogatta a Nemzeti Kulturális Alap

<http://dunakavics.uniduna.hu/>

ISSN 2064-5007

Tartalom

DAVIT OKUJAVA-ORSOLYA FALUS

Fake News – Propaganda – Trolling: Thoughts along Ethics and Law 5

POTÓCZKI JUDIT

The development of the level of financial literacy in Hungary based on OECD surveys of the past decade 17

ZAKOTA ZOLTÁN

Katasztrófaetika az ökológiai diszkurzusban 31

SUDÁR ANNA-BERKI BORBÁLA

Végrehajtó funkciók mérésének lehetőségei MaxWhere virtuális valóságban 43

BURKUS ERVIN-KECSKÉS ISTVÁN-ODRY ÁKOS-TADITY VLADIMIR-ODRY PÉTER

Innovatív képfeldolgozási eljárások kutatása, tomográfiai mérési eljárások fejlesztése 51

Galéria

(Bakos Miklós fotói)

77



Fake News – Propaganda – Trolling: Thoughts along Ethics and Law

Összefoglalás: „Aki információval rendelkezik, az rendelkezik a hatalommal”, tartja a mondás, azonban az információ nem mindig valós. Az elmúlt évtizedek technológiai fejlődése jelentősen megváltoztatta a hagyományos médiát, és kihívást jelentett a világ számára a félretájékoztató, a hamis információ, az információs propaganda, valamint a „trollkodás.” Az internetes média fejlődése lehetővé tette a polgárok számára, hogy kiválasszák az információ forrását, továbbá maguk is létrehozassák és megoszthassák az információkat. A tanulmány bemutatja a média árnyoldalait, és betekintést nyújt a jogi védekezés lehetőségeibe is.

Kulcsszavak: Média; hírhírek; propaganda; trollkodás; rágalmozás.

Abstract: “Whoever holds information holds the power,” – the saying goes, however, information is not always real. Technological developments in recent decades have significantly changed the traditional media, and it has challenged the world with the issue of dealing with misinformation, fake information, information propaganda, as well as “trolling”. The development of internet media has enabled the citizens to choose the source of information, to create and share information themselves. The study presents the downsides of the media and also provides insight into the possibilities of legal redress.

Keywords: Media; fake news; propaganda; “trolling”; defamation.

Information as power

“We live in an age that is driven by information. Technological breakthroughs . . . are changing the face of war and how we prepare for war.” [1] These words belong to former United States Deputy Secretary of Defense (1994–1997)

* University of Dunaujváros
E-mail: datookuja@gmail.com

** University of Dunaujváros
E-mail: faluso@uniduna.hu

[1] Hanna Hämmäläinen (2019): *Social Media Writings. Information Warfare*. [Online]. <https://medium.com/social-media-writings/information-warfare-d4289484a241>. [Accessed 10. 2. 2021.]

[2] “GreeceHighDefinition.com,” *Greece-HighDefinition*. 23. 1. 2019. [Online]. Available: <https://www.greecehighdefinition.com/blog/2019/1/23/ephaltes-the-story-of-the-greatest-traitor-in-ancient-greece>. [Accessed 10. 2. 2021.]

[3] “Pangeanic.com,” *Pangeanic*. 24. 3. 2020. [Online]. Available: <https://pangeanic.com/knowledge/the-worst-translation-mistake-in-history/>. [Accessed 10. 2. 2021.]

William Perry. Regardless he was a secretary in the mid-’90s and information sharing technologies such as wireless cellphones, computers, social media was not that improved at that time, he already knew what power information sharing technologies could have and how powerful information is.

Recently, in the 21st century when lots of countries decided to change the face of the war, they discovered a new strategy how to lead the conflicts and wars. Countries change their methods in fighting against their “enemies” with missiles and rifles with information. This helped them to empower their influence in different countries, weaken their opponents, make propaganda to gain more followers, and this all without spending enormous materials.

With the first look, we can think about how can be information so powerful? How can something immaterial change the face of the war? How can nations win against the army and technology with one simple piece of information? Well, the answer is simple. History left examples for us about how having or not having information can lead wars to the end. One of the most famous examples is an infamous battle between 300 Spartans and Persians huge army. What could have happened if Greek traitor Ephialtes did not share strategic information with Persians. [2]

History also has facts when misinformation led the catastrophes. In 1945 USA had a wrong translation of the Japanese word “mokusatsu”. This word was used by that time prime minister Kantaro Suzuki, who replied to the journalist that he was “withholding comment” about America’s declaration of surrender terms. Unfortunately, the word “mokusatsu” was wrongly translated into English and it caused the infamous tragedy of Hiroshima. [3]

Different countries choose different strategies, some using propaganda, some are using fake news or “trolls” to weaken and damage each other. All this happening because the world is in information warfare, and without knowing how to fight in this war you will be defeated.

The most powerful and strategically used material as we already mentioned below is information, whoever holds information, holds the power. However, information itself is not that powerful, if you do not have the tools and infrastructure to disseminate it.

And this is where the terminology information warfare appears, on one hand, this is media propaganda- “we are good, they are bad”, but on the other hand, this is an attack on the infrastructure of information technologies. This does not mean an

attack on telephones or telegraphs, this means an attack on informative sources using the internet, in other words, cyber-attack. [4]

In other explanation the operation that is used to gain information about opponents to gain advantages against them. The information war is not new for lots of countries, but it contains many innovative technologies, which results in the fast dissemination of information. In NATO's "Defense Educational Enhancement Programme" it is explained as: "It consists in controlling one's own information space, protecting access to one's information, while acquiring and using the opponent's information, destroying their information systems and disrupting the information flow". [5]

Information war includes suppression of television and radio programs, dissemination of misinformation, block logistics networks, deactivation of the opponent's sources of communication, spreading fake news that will cause panic and chaos, cyber-attacks on strategic points. It also can contain so-called "psychological war" which means using propaganda and other psychological methods to influence the morals, emotions, views, and behaviors of both enemies and allies. In psychological warfare, it is possible to change or reinforce both attitudes and behaviors, depending on which is more favorable to its planner; such actions are sometimes combined with a fake flag tactic (a tactic that hides its identity and pretends to be different also can be called "trolls" which will be explained in future chapters). The targets of psychological warfare are governments, organizations, groups, individuals, or several or all of them at once. [6]

Propaganda

It is the most common method of convincing many people in something, often with political benefits. Any propaganda is based on ideology. Originally the Latin word Propaganda had a neutral meaning, and it meant the dissemination and propaganda of a certain idea. The origin of the word is related to the „Sacra Congregatio de Propaganda Fide" (Holy Congregation for the Propagation of the Faith), a missionary organization founded in 1622 by the Vatican, which aimed to spread the Catholic faith. [7] From the 18th century, the term was also used to refer to state activities, and later in the political sphere, it acquired a negative connotation.

[4] Lewis, B. C.: "fas.org," *Federation of American Scientists*. [Online]. Available: <https://fas.org/irp/eprint/snyder/infowarfare.htm>. [Accessed 10. 2. 2021.]

[5] "nato.int," *NATO*. 17. 5. 2020. [Online]. Available: https://deeportal.hq.nato.int/goto.php?target=file_1873_download&client_id=DEEP. [Accessed 10. 2. 2021.]

[6] Hosch, W. L.: "britannica.com," *Britannica*. 23. 8. 2007. [Online]. Available: <https://www.britannica.com/topic/psychological-warfare>. [Accessed 10. 2. 2021.]

[7] Knight, K.: "newadent.com," *New Advent*. 2020. [Online]. Available: <https://www.newadvent.org/cathen/12456a.htm>. [Accessed 10. 2. 2021.]

[8] Martin, T. G. a. B. (2007): “uow.edu.au,” University of Wollongong Australia. [Online]. Available: <https://documents.uow.edu.au/~bmartin/pubs/07jiw.html>. [Accessed 10. 2. 2021.]

[9] “historians.org,” *American Historical Association*. [Online]. Available: [https://www.historians.org/about-aha-and-membership/aha-history-and-archives/gi-roundtable-series/pamphlets/em-2-what-is-propaganda-\(1944\)/the-story-of-propaganda](https://www.historians.org/about-aha-and-membership/aha-history-and-archives/gi-roundtable-series/pamphlets/em-2-what-is-propaganda-(1944)/the-story-of-propaganda). [Accessed 10. 2. 2021.]

Propaganda can be classified according to who the distributor is and what the content of the propaganda is:

- White propaganda is propaganda whose source is openly known; in white propaganda, light methods are used to influence people.
- In the case of black propaganda, it is believed that it has one source that is known, although, the source of the propaganda is completely different.
- During the gray propaganda, there is no information at all about its source or author. [8]

Instead of providing objective information, propaganda aims to influence the public in any form. When propaganda is spread, the right facts can also be spread internally, although the right facts are spread selectively, compared to those that matter less, while important information is hidden. Propaganda is also characterized by the emotional delivery of information rather than rationally. The goal is to change the views and positions of the target community, on any issue, to prolong the political, religious, or economic situation, to spread certain views, and to attract supporters.

Propaganda is a powerful weapon in war; through propaganda, it is possible to create a mood of hatred in the society towards possible or existing enemy. Most of the propaganda wars, try to inspire society with the fact that the enemy is treating their country unfairly, which may be entirely fabricated or may be related to certain facts. During the ideological war, the famous method is using misinformation about their enemy. In schools they teach false history, media platforms spread fake news about opponents or negatively talk about them.

Propaganda was a method first widely used during World War I when it used to encourage hatred towards adversaries. The same strategies were used also during World War II when countries used the same posters, quotes, etc. In the end, both times propaganda caused terrible results. Thousands of youngsters were blinded by the idea of heroism and went to war, and half of them did not survive and almost all survivors had mental problems caused by what they saw on the battlefield. That generation later called “The lost generation.” [9]

Modern propaganda is almost no longer built on exaggerated lies, now, propagandists rely on real facts, just offer different, favorable interpretations for them, and we believe most of them. „*Propaganda gives a person solidity. Propaganda offers him a simple and clear explanation of the world.*” writes Jacques Elliott in his book

“Propaganda the formation of men’s attitudes”, – „I will clarify, a wrong explanation, far from reality, but clear and satisfactory. That way, the world will no longer look hostile and dangerous. „ [10]

Propaganda has existed since the time of the ancient empires and is not going to go anywhere, but we can live with it: the main thing is to know that it exists, some people are trying to persuade us and therefore any information we receive needs to be verified.

Fake news

As already mentioned: “whoever holds information, holds the power” the saying goes, however, information is not always real. Technological developments in recent decades have significantly changed the traditional media, and it has challenged the world and our countries with the issue of dealing with misinformation, fake information, and information propaganda. The development of internet media, on the one hand, has enabled the citizens to choose the source of information, to create and share information themselves.

Fake news is an important part of the propaganda and is considered a necessary tool to carry it out. There is no recognized definition of fake news, but in a more established sense, it is misinformation or lies spread through the media that serves to popularize the source of information and/or to pursue policies set by a particular group.

The question arises: why fake news started spreading so fast now? What are contributing factors to spreading fake news? There are a couple of answers about this question:

- Distribution and cost – Technological developments have increased the information coverage space, making it possible to send information anywhere in the world in a matter of seconds. Internet network coverage is very large; therefore, it is difficult to retain information. As for cost, creating and spreading fake news does not need a huge amount of money or in many cases, it does not need any budget at all.
- Law and regulation – Since the number of such news is large, and they are very different in content, it is difficult to identify and control them. So far there is not enough or effective mechanism to regulate this issue. There are indeed various

[10] Ellul, J. (1962): *Propaganda: The Formation of Men’s Attitudes*. New York: Vintage Books.

[11] James Carson, M. C. “telegraph.co.uk,” *The Telegraph*. 7. 1. 2021. <https://www.telegraph.co.uk/technology/0/fake-news-exactly-donald-trump-rise/>.

[12] “bbc.com,” BBC, 11. 3. 2020. https://www.bbc.com/news/world-51839944?fbclid=IwAR3k1OY_5dZijtS4YJbG1dz15IzQi_-HVkNhC2dK5akj6eus0dF6zt4AP6s. [Accessed 10. 2. 2021.]

[13] “who.net,” *World Health Organization*. <https://www.who.int/docs/default-source/coronaviruse/situation-reports/20200202-sitrep-13-ncov-v3.pdf>.

[14] Meg Kelly, S. C.: “washingtonpost.com,” *The Washington Post*. <https://www.washingtonpost.com/politics/2020/05/01/was-new-coronavirus-accidentally-released-wuhan-lab-its-doubtful/>.

[15] G. Esfandiari, “rferl.org,” *Radio Free Europe, Radio Liberty*. 5. 3. 2020. <https://www.rferl.org/a/coronavirus-conspiracy-iranian-commander-suggests-virus-might-be-us-biological-weapon/30470600.html>.

[16] “medium.com,” *Medium*. 30. 1. 2020. <https://medium.com/dfrlab/bioweapons-secret-labs-and-the-cia-pro-kremlin-actors-blame-the-u-s-for-coronavirus-outbreak-ffc2139c28dd>.

practices for complaining news spreaders, but finding the first, the source is quite difficult. Also, until an online media outlet is proven to be a source of disseminating false information, it precedes the publication of too much misinformation.

Several types of fake news are not easy to spot, such as the “misleading story”. This is deliberately created and disseminated misinformation that targets a certain person, group, political force, organization, etc. Its goal is discrediting. For example, some Russian and Italian media outlets have reported that the European Court of Human Rights has ruled that the baptism of newborns will be banned from March 2016. This false story was part of anti-Western propaganda. Selectively selected information in the news story – is the distortion of information disseminated by the first source, artificially removed phrases without context, fragmented videos, short audio recordings, etc. For example, information published by various media outlets that the European Court of Human Rights allegedly ruled that an employer could have full control over an employee’s e-mail correspondence. News where the truth is disputed and difficult to establish is a case where it is difficult to investigate facts that are beyond the scope of the receiving information segment. [11]

Of course, this formulation of categories of false information is conditional, and often it is difficult to combine them in one specific category. In December 2019, in China, the first case of a new coronavirus was reported. On March 11, 2020, the World Health Organization declared COVID-19 a pandemic. [12] The new reality and the widespread of the disease have increased the demand for virus-related information, while at the same time increasing the flow of myths and misinformation. The World Health Organization has called the new coronavirus a mass „info dem” because of the proliferation of inaccurate information about it. [13]

With the widespread of the virus, several conspiracy theories about the origin of the virus were spread in the media or on social networks. The spread of Covid-19 has sometimes been linked to wireless 5G internet, some have written that the virus was „stolen” from Wuhan’s lab, [14] some publications still claim that the coronavirus is an artificial biological weapon, [15] and others, especially the Kremlin and anti-Western publications, insist that the US is involved in the spread of the virus. [16]

With innovations and development, fake news is developing. If before people could not believe, what they have read now we also cannot trust what we hear and see. And it is because of “deepfake”. We have known for a long time that we should not always trust what we read or hear, but in the age of modern technology, we should not believe what we have seen. So-called “deepfake” videos have recently attracted the attention of not only Internet users but also governments and the media.

„Deepfake” is a hyper-realistic video or audio recording based on artificial intelligence that shows a particular person saying or doing something they have never actually done. Unlike standard video manipulation, an existing algorithm transfers one person’s movement and words to another person. For example, there are two videos - one of an actor or a parody of a particular person and the other of a target person. The algorithm creates a new synthetic video showing that the target person speaks and moves exactly like his/her parodist. The more video and audio material exist of targeted person, the more the artificial intelligence will explore and therefore the „deepfake” will also be visually much more realistic. [17]

„Deepfake” videos have become especially popular after „Buzzfeed” released a video in April 2018, in which former USA president, Barack Obama mocks and insults Donald Trump. Obama’s face was built using „deepfake” technology based on the voice and facial movements of Hollywood actor Jordan Peele. [18] The purpose of creating the video was to show the dangers that might accompany these types of videos. „Buzzfeed’s” video soon became viral and international press, including the Wall Street Journal, [19] CNN, and the BBC [20] started talking about „deepfake” technology.

„Deepfake” nowadays can become a powerful tool of disinformation. All person need is the internet, photos, or videos of the target person. In an interview with the Wall Street Journal, Hany Farid, a professor of computer science at the University of Berkeley in the United States, says that changing images can change history and that using artificial intelligence in this way changes everything in the digital space. Professor Farid explains the possible threat to “deepfake”: „Imagine the following scenario: a video of President Trump’s artificial intelligence was published saying, ‚I just launched a nuclear bomb against North Korea.’ This video will become viral in 30–60 seconds.

[17] Sample, I.: “theguardian.com,” *The Guardian*. 13. 1. 2020. <https://www.theguardian.com/technology/2020/jan/13/what-are-deepfakes-and-how-can-you-spot-them>. [Accessed 9. 2. 2021.]

[18] Sosa, J.: *Director, You Won't Believe What Obama Says In this Video!* [Film]. USA: BuzzFeed, 2018.

[19] Schellmann, H.: “wsj.com,” *Wall Street Journal*. 15. 10. 2018. <https://www.wsj.com/articles/deepfake-videos-are-ruining-lives-is-democracy-next-1539595787>

[20] “bbc.com,” *BBC*. 17. 7. 2017. <https://www.bbc.com/news/av/technology-40598465>

[21] “octavianreport.com,” *Octavian Report*. N. D. <https://octavianreport.com/article/hanyfarid-fight-threat-deepfakes/>

[22] “carnegieendowment.org,” *Carnegie Endowment For International Peace*. N. D. [Online]. Available: <https://carnegieendowment.org/2019/01/28/how-should-countries-tackle-deepfakes-pub-78221>.

[23] “eur-lex.europa.eu,” *European Commission*. 26. 4. 2018. https://eur-lex.europa.eu/legal-content/EN/TXT/HTML/?uri=C_ELEX:52018DC0236&from=EN.

[24] “<https://schiff.house.gov/>,” 13 9 2018. <https://schiff.house.gov/imo/media/doc/2018-09%20ODNI%20Deep%20Fakes%20letter.pdf>. [Accessed 11. 2. 2021.]

[25] “rubio.senate.gov,” marco Rubio US Senator for Florida , 2 10 2019. [Online]. Available: <https://www.rubio.senate.gov/public/index.cfm/2019/10/rubio-warner-express-concern-over-growing-threat-posed-by-deepfakes>.

[26] Press, A.: “www.voanews.com,” *Voice Of America*. 8. 2. 2020. <https://www.voanews.com/silicon-valley-technology/cyborgs-trolls-and-bots-guide-online-misinformation>.

North Korea will respond within the next 60 seconds until someone finds out that the video is fake. Then how do we believe everything we see? That is why deepfake poses a real threat to our democracy. „ [21]

Charlotte Stanton, director of the Carnegie Endowment for International Peace’s Silicon Valley office, writes that deepfake could interfere in politics, sabotage elections, and delay diplomatic relations. [22] It should be noted that the EU has already taken steps to combat the “deepfakes”. The Brussels office on October 16, 2018, unveiled a „strategy to combat all forms of disinformation”, including “deepfakes”. [23]

U.S. Congressmen Adam Schiff and Stephanie Murphy wrote a letter to the Director of National Intelligence asking them to find out how other countries’ governments, intelligence services, and individuals could harm US interests through „deepfakes” and how they could be stopped. [24] Senator Marco Rubio also addressed a separate report on this topic. [25] Also, the Pentagon has already funded a research project to find new methods to detect „deepfakes”. The fact is that technology is constantly evolving, making it even easier to create fake but maximally realistic content that might become part of misinformation and propaganda in the media.

Trolls

Troll is an internet slang, which refers to a person who publishes inadequate and provocative information on a forum, chat, blog, etc. A troll is a person who acts in the online space without indicating a real identity to prevent a healthy discussion between users on various websites, forums, and social networks. Trolls write aggressive and non-thematic comments on topics of interest to them in groups on social networks (eg: Facebook, Twitter, Reddit, Instagram), blogs, as well as in the comments section of web portals to attract attention and provoke users emotionally.

The main and most important feature of a troll is to hide its identity. In the online space, he acts through a fake profile, where the information about him is either falsified or not reflected at all. This can be photos, contact information, data on education and workplace, as well as hobbies and interests. [26]

In their book, “Disinformation and Fake News” Shashi Jayakumar, Benjamin Ang, and Nur Diyanah Anwar claim, that, trolls are used to make illusions about public opinion. It shows us that a big number of societies share the same opinion and, in this way, make real users of social media to believe, that some news is real, or that amount of “trolls” can easily manipulate society. [27]

Internet trolls choose the appearance, race, nationality, religion, and anything sensitive to other people. Inadequate comments change the direction of the discussions and lead to uncontrolled aggression, thus raising self-esteem. American Author Nina Jankowicz in her book “How to Lose the Information War: Russia, Fake News, and the Future of Conflict”, [28] talks about so-called “troll farms”. She says how St. Petersburg’s “troll farm” affected the 2016 US presidential election. In 2018 Chief Executive Officer of Facebook, Mark Zuckerberg himself came out openly and told us that Facebook had deleted thousands of Russian-run pages and fake accounts. [29]

There are several reasons to use trolls, but the most used ones are: to convince of the validity of any matter; to mobilize people around certain topics or stories; to gain the support of the masses for a particular ideology; to mislead the users; to exert psychological pressure. Arguing in the network is a futile thing, especially if the opponent hides his profile. Check out his activity in other discussions, and if you see that his comments are one-sided and provocative everywhere – it means you are facing a classic troll.

To protect ourselves against trolls, first, we should start with education: to learn to differentiate between reliable and unreliable resources, check the first sources; to avoid not being a disseminator of false information; and to know how to report suspicious articles. Critical thinking is the best tool in the fight against trolls.

Legal defense against “fake news”

When the term “fake news” comes up, people usually think of social media posts. Fake news may seem new, but the platform used is the only new thing about it. Propaganda has been around for centuries, and the internet is only the latest means of communication to be abused to spread lies and misinformation. The fire triangle represents the three elements a fire needs to burn: oxygen, heat, and a fuel. Similarly,

[27] Shashi Jayakumar, B. A. N. D. A. (2020): *Disinformation and Fake News*. Singapore: Springer Singapore.

[28] Jankowicz, N. (2020): *How to Lose the Information War: Russia. Fake News, and the Future of Conflict*. Bloomsbury Academic.

[29] Sheth, S.: “www.businessinsider.com,” *Insider*. 11. 4. 2018. <https://www.businessinsider.com/mark-zuckerberg-mueller-interviewed-facebook-subpoena-cambridge-analytica-2018-4>

[30] “www.trendmicro.com”, *Fake News and Cyber Propaganda: The Use and Abuse of Social Media*. 6. 13. 2017. <https://www.trendmicro.com/vinfo/pl/security/news/cybercrime-and-digital-threats/fake-news-cyber-propaganda-the-abuse-of-social-media>

[31] Falus, Orsolya (2021): *Digital Media Law Textbook for International Students*. Dunaújváros: DUE Press. P. 49.

fake news requires three different items to succeed. These collectively represent the “Fake News Triangle”: without any one of these factors, it is unable to spread and reach its target audience.

Figure 1. The Fake News Triangle [30]



The first requirement: tools and services for manipulating and spreading the message across relevant social media networks, many of which are sold in various online communities from across the globe. A wide variety of tools and services are available; some are relatively simple (paid likes/followers, etc.), while some are more unusual—some services promise to stuff online polls, while some force site owners to take down stories. In any case, the tools and services for social media promotion are readily available, both inside and outside the underground scene.

We can recall an example from early 2017, when 20th Century Fox worked with a fake news publisher to create five Web sites, with names such as the *Houston Leader*, which were designed to imitate traditional online news sources. The Web sites published articles featuring false information about prominent public figures (e.g., Lady Gaga and former president of the USA Donald J. Trump) and controversial topics of public interest (mental health and vaccinations) and were shared widely via Facebook. In mid-February 2017, it was discovered that 20th Century Fox had ordered the creation of these fake news publications in an effort to publicize the Fox feature film “*A Cure for Wellness*,” by including plot references to the film and promotional hashtags (such as #cureforwellness) in the subject articles. [31]

Fake news publishers most frequently are sued by private individuals or businesses seeking to collect monetary damages or injunctive relief. No legal claim is invoked more frequently against fake news publishers than the common law tort of defamation. Defamation is communication of a false statement that harms the reputation of an individual person, business, product, group, government, religion, or nation. It is a statement that injures a third party's reputation. The tort of defamation includes both libel (written statements) and slander (spoken statements). [32]

From early times, people have comprehended defamatory and injurious statements made in a public manner (*"convicium adversus bonos mores"*). Roman law was aimed at giving sufficient scope for the discussion of a man's character, while it protected him from needless insult and pain. The remedy for verbal defamation was long confined to a civil action for a monetary penalty, which was estimated according to the significance of the case, doubtless included practically the element of compensation. But a new remedy was introduced with the extension of the criminal law, under which many kinds of defamation were punished with great severity.

At the same time increased importance attached to the publication of defamatory books and writings, the *"libri or libelli famosi"*, from which we derive our modern use of the word libel. [33]

In Anglo-Saxon England, it was punished by cutting out the tongue. Under common law, to constitute defamation, a claim must generally be false and must have been made to someone other than the person defamed. Some common law jurisdictions also distinguish between spoken defamation, called slander, and defamation in other media such as printed words or images, called libel. [34]

Until 1660, the common law did not draw a clear distinction between defamation that was spoken or that which was in writing. However, defamatory words in writing were often punished with harsher sentences. The current distinction is between impermanent, often spoken, statements (Slander) and permanent, often written, statements (Libel). In some civil law jurisdictions nowadays, defamation is treated as a crime rather than a civil wrong. [35]

Many nations have criminal penalties for defamation in some situations, and different conditions for determining whether an offense has occurred. The Organization for Security and Co-operation in Europe (OSCE) [36] has published a detailed database on criminal and civil defamation provisions in 55 countries, including all European countries, all member countries of the Commonwealth of Independent States, the United States and Canada.

[32] Veeder, V. : The History and Theory of the Law of Defamation. I. *Columbia Law Review*. 1903/3. (8.) 546–573.

[33] Falus, Orsolya (2021): *Digital Media Law Textbook for International Students*. Dunaújváros: DUE Press. Pp. 50–51.

[34] Ibid.

[35] "www.osce.org", *Organization for Security and Co-operation in Europe (OSCE)*. official website.

[36] The Organization for Security and Co-operation in Europe (OSCE) is the world's largest security-oriented inter-governmental organization. Its mandate includes issues such as arms control, promotion of human rights, freedom of the press, and fair elections. It has its origins in the 1975 Conference on Security and Co-operation in Europe (CSCE) held in Helsinki, Finland.

[37] *Act C of 2012 on the Criminal Code of Hungary.* https://njt.hu/translated/doc/J2012T0100P_20200331_FIN.PDF

In Hungary Defamation is regulated by Section 226 of the Act C of 2012 on the Criminal Code: [37]

(1) Any person who engages in the written or oral publication of anything that is injurious to the good name or reputation of another person, or uses an expression directly referring to such a fact, is guilty of a misdemeanor punishable by imprisonment for up to one year, community service work, or a fine.

(2) The punishment shall be imprisonment for up to two years, if the defamation is committed:

- a) for a malicious motive or purpose;*
- b) in broad publicity;*
- c) causing considerable injury of interest.*

Conclusion

Defamation law, has walk a fine line between the right to freedom of speech and the right of a person to avoid defamation. On one hand, people should be free to talk about their experiences in a truthful manner without fear of a lawsuit if they say something mean, but true, about someone else. On the other hand, people have a right to not have false statements made that will damage their reputation. Discourse is essential to a free society, and the more open and honest the discourse, the better for society.

The development of the level of financial literacy in Hungary based on OECD surveys of the past decade

Abstract: The study summarizes the results of an international survey on the level of financial literacy conducted by the OECD in 2018/2019 focusing on data related to Hungary, and indicates the changes compared to previous surveys of 2014/2015 and 2010/2011. The overall level of financial literacy in Hungary is close to the international average with significant differences between the components. The financial attitude is quite good, financial knowledge is average, but in the field of the most important component, financial behavior, Hungary finished in the penultimate position. However, the absolute level of financial literacy in Hungary is quite low since it does not reach the expected minimum level. The level of financial literacy can be improved by the broadening of financial knowledge which can be partly reached by school-based education and partly by using informative programs aiming at the adult population.

Keywords: Financial literacy, financial attitude, financial knowledge, financial behavior, financial resilience, OECD surveys.

Összefoglalás: A tanulmány a pénzügyi műveltség szintjének felmérésére az OECD által szervezett, és 2019-ben lebonyolított nemzetközi kutatás eredményeit ismerteti a magyarországi adatokra fókuszálva, valamint összeveti azokat a 2015-ös és a 2010-es felmérések adataival, hogy megállapítsa, mely területeken tapasztalható fejlődés vagy éppen visszaesés. A magyar lakosság pénzügyi műveltsége összességében csak kevéssel marad el a nemzetközi átlagtól, ezen belül azonban az egyes komponensek tekintetében számottevő különbségek figyelhetők meg. A pénzügyi hozzáállás terén a rangsorban elfoglalt helyünk még meglehetősen jónak minősíthető, a pénzügyi ismeretek tekintetében már inkább csak közepesnek, míg a legfontosabbnak tartott területen, a pénzügyi magatartást illetően hazánk az utolsó előtti helyen végzett. Ugyanakkor abszolút értelemben nézve Magyarország teljesítménye

* *University of Public Service*
E-mail: potoczkijudit.nke@gmail.com

[1] MNB (2008): *Együttműködési megállapodás a pénzügyi kultúra fejlesztéséről* (MNB és PSZÁF), Vol. 2012. Budapest: MNB, PSZÁF. <https://www.mnb.hu/>

[2] OECD–INFE (2011): *Measuring Financial Literacy: Questionnaire and Guidance Notes for Conducting an Internationally Comparable Survey of Financial Literacy*, <https://www.oecd.org/finance/financial-education/49319977.pdf>, downloaded: 25. 08. 2020.

[3] OECD (2020): *OECD/INFE 2020 International Survey of Adult Financial Literacy*. <https://www.oecd.org/financial/education/oecd-infe-2020-international-survey-of-adult-financial-literacy.pdf>, www.oecd.org/financial/education/launchoftheoecdfinancialliteracyreport.htm, downloaded: 21. 11. 2020.

egyértelműen gyengének tekinthető, miután az eredmények alapján még egy minimálisan elvárt szintet sem sikerült elérni.

A pénzügyi műveltség szintje elsősorban a pénzügyi ismeretek bővítésével növelhető, amely részben az iskolarendszerű oktatáson, részben a felnőtt lakosságot célzó ismeretterjesztő programokon keresztül érhető el.

Kulcsszavak: Pénzügyi műveltség; pénzügyi hozzáállás; pénzügyi ismeretek; pénzügyi magatartás; pénzügyi ellenállóképesség; OECD-felmérés.

Methodological description of the international survey

The most common domestic definition of the concept of financial literacy is as follows: „A level of financial knowledge and skills that enables individuals to identify the basic financial information needed to make informed and deliberate decisions, and then, after acquiring it, to interpret it and make a decision based on it, assessing potential future financial and other consequences of their decision.” [1] According to the approach of the OECD-INFE [2], it is „a combination of awareness, knowledge, skills, attitude and behavior needed to make informed financial decisions and thus ultimately achieve the financial well-being of individuals”. Thus, contrary to popular belief, financial literacy is not simply equal to financial knowledge, according to these two definitions. It indicates a complex “system” in which, with the appropriate attitude and approach assisted by financial knowledge, consumers act in such a way that they make financial decisions that best suit their needs, goals and opportunities.

The OECD has conducted an international survey for the third time [3] to assess the level of financial literacy, in which Hungary also participated in through the Pénziránytű Foundation. The survey was conducted in 2018/2019 in 26, mostly European countries and regions, as follows: Austria, Bulgaria, Colombia, Croatia, the Czech Republic, Estonia, France, Georgia, Germany, Hong Kong, Hungary, Indonesia, Italy, Malaysia, Malta, Moldova, Montenegro, North Macedonia, Peru, Poland, Portugal, Romania, Russia, Slovenia, South Korea, Thailand. Of these, France, Malta and Thailand did not ask all the questions or partly changed them, so when calculating the averages, not all 26 countries were taken into account at all times. The questions were asked

from a sample of at least 1,000 people per country over the age of 18, with a total of more than 125,000 consumers participating in the survey. One of the antecedents of the survey is the OECD pilot study of 14 countries in 2010/2011, which was repeated in 2014/2015 involving 30 countries. Hungary participated in all three surveys so far, in the last one with 2018 data. The results of the previous surveys in Hungary [4], [5], where available in a comparable way, are presented in this study to illustrate the changes that have taken place in the past decade. Hereinafter, for the sake of simplification, the present study refers to the first survey as the 2011 survey, the second as the 2015 survey, and the most recent as the 2019 survey.

The level of financial literacy was measured using three main and one additional component: financial attitude, financial knowledge, financial behavior, and prevalence of financial products and services, but the latter is not included in the overall result. The sum of the possible values of the main components in the survey was 21 points, i.e. this could be achieved if a country received the maximum score for everything (the theoretical maximum values of the individual components are not equal, they are described in the section on the given component). A further methodological note is that the scores achieved by each country were taken into account with the same weight in the calculation of the averages, regardless of the different number of respondents, and some of the questions changed compared to the 2011 and 2015 surveys, therefore directly comparable results are not available in all aspects.

Main findings of the OECD surveys

AGGREGATED RESULTS

Hong Kong achieved the best overall result with 14.8 points (which includes only 23 of the 26 countries due to the above reasons), corresponding to 71%, followed by Slovenia with 14.7 points (70%) and Austria with 14.4 points (69%). The average score was 12.7 points, or about 61%. Hungary finished in 14th place in the ranking with 12.3 points (59%), which is the same as in 2015 in terms of the score, but it is a setback compared to 2011, as we reached 67% that year. Going into further detail, Hungary achieved rather heterogeneous results for individual components: in the field of financial knowledge we finished in the middle, in 10th place, for financial

[4] Atkinson, A. –Messy, F. (2012): “Measuring Financial Literacy: Results of the OECD / International Network on Financial Education (INFE) Pilot Study”, OECD Working Papers on Finance, Insurance and Private Pensions, No. 15. <http://dx.doi.org/10.1787/121857121857>. Paris: OECD Publishing.

[5] OECD (2016): *OECD/INFE International Survey of Adult Financial Literacy Competencies*. <http://www.oecd.org/finance/oecd-financial-literacy-study-finds-many-adults-struggle-with-money-matters.htm>, downloaded: 14. 11. 2020.

[1] MNB (2008): *Együttműködési megállapodás a pénzügyi kultúra fejlesztéséről* (MNB és PSZÁF), Vol. 2012. Budapest: MNB, PSZÁF. <https://www.mnb.hu/>

[4] Atkinson, A.–Messy, F. (2012): “Measuring Financial Literacy: Results of the OECD / International Network on Financial Education (INFE) Pilot Study”, OECD Working Papers on Finance, Insurance and Private Pensions, No. 15. <http://dx.doi.org/>. Paris: OECD Publishing.

[5] OECD (2016): *OECD/INFE International Survey of Adult Financial Literacy Competencies*. <http://www.oecd.org/finance/oecd-financial-literacy-study-finds-many-adults-struggle-with-money-matters.htm>, downloaded: 14. 11. 2020.

[6] Hastings, J. S.–Madrian, B. C.–Skimmyhorn, W. L. (2013): Financial literacy, financial education and economic outcomes. *Annual Review of Economics*, 5. Pp. 347–373. <http://doi.org/10.1146/annurev-economics-082312-125807>, downloaded: 10. 11. 2020.

[7] Mahdzan, N. S.–Tabiani, S. (2013): The impact of financial literacy on individual saving, and exploratory study in the Malaysian contest. *Transformations in Business and Economics*, 12. (28.) Pp. 41–55.

attitude we finished in the relatively high 4th place, but in terms of financial behavior, we are only second to last.

It is important to note that according to the OECD, a maximum score in this survey still doesn't mean the country is outstanding, rather, it confirms the existence of a general basic knowledge and financial decisions that make common sense, i.e. even the best performing countries - who were able to reach about 70% of this basic level - would pass this basic exam with only a sufficient grade, while average performances of 60% would mean failing the exam.

The survey summaries [1], [4], [5] also show the proportion in each country of those who met at least the required minimum level for a given component (which is 71% for financial knowledge, 67% for financial behavior and 60% for financial attitude). In this comparison, Hungary differs from the average only in the area of financial behavior, but there it differs significantly: while elsewhere on average almost half of the consumers reached the minimum level, in Hungary only 30% (four years earlier this proportion was 25%, while in 2011 it was 38%).

FINANCIAL KNOWLEDGE

Financial knowledge is of great importance to financial literacy, as it enables consumers to make educated comparisons between different financial products and services and to make informed choices, thus helping them to control and manage their own finances in response to news and events affecting their financial well-being. As been proven in professional literature [6], [7], higher levels of financial knowledge are positively correlated with consumers emerging as investors in stock markets, generating retirement savings, and being less affected by debt accumulation.

In this part of the survey 7 questions had to be answered, which were sought to assess the existence of basic financial knowledge (time value of money, calculation of simple and compound interest,

relationship between risk and return, principle of risk sharing). Hungary finished in the middle of the field with 66% – the world average was 63% – which is practically the same as in 2015, while in 2011 the 76% achieved at that time proved to be the best, however, changes in the multiple choice options in the Hungarian questionnaire to one of the most difficult questions may also have played a role in this. The minimum expected level (71%) was met by 53% of all respondents, compared to 56% in 2015. In the case of Hungary, the value of this indicator is slightly higher (56%), four years earlier it was 60%, i.e. in addition to the fact that the average performance did not change significantly, the proportion of those who were able to meet the minimum expected level decreased.

Respondents were also asked how they see their level of financial literacy: as a result of their self-assessment, 25% of Hungarian consumers considered it low, 56% medium, 17% high, and the remaining 2% could not determine it. The world average in this respect is 26%, 53%, 17% and 4%, respectively, so in the case of Hungary there is no significant difference compared to the average of other countries, and on the other hand this is in line with the fact that Hungarian consumers performed slightly better than average in knowledge assessment tasks.

FINANCIAL ATTITUDE

Another important factor in determining the level of financial literacy is financial attitude, since consumers might have sufficient knowledge of products and services and have the skills to make informed decisions to achieve material well-being, if, because of their attitude, they do not act upon it, they will have no use of them. The survey described in this study would therefore like to assess how consumers relate to money and longer-term planning. Respondents were asked to indicate their agreement with three statements on a five-point scale ranging from “strongly agree” to “strongly oppose”. The less someone agrees with the statements, the more favorable their attitude can be considered, as a result, the “strongly oppose” responses scored 5 points, i.e., the maximum of the scores for the three statements averaged 5 points, and the minimum expected level was determined at a score of at least 3 points.

The average score was 3 points (60%), with Hungary earning 3.3 points (66%), finishing in our best position (4th) regarding the rankings, while four years earlier reaching 70%, and in 2011 doing even slightly better with 72%. The situation is similar in terms of the proportion of those who meet the minimum required level of 60%. Compared to the average of 43% for all countries, this is 55%, but in 2015 it was 63% and in 2011 it was 69% among Hungarians.

FINANCIAL BEHAVIOR

In terms of consumers' financial situation and material well-being, financial behavior, i.e. the measures actually taken or not taken, has the greatest impact, which is why this area is very important. Taking this into account, OECD surveys have included a number of questions in related subjects, including household budgeting, prudent pre-purchase decision-making, due-date settlement of bills, savings creation, and loans to cover living costs. The evaluation of the results show that significant differences can be observed between countries in financial behavior, and also within each country in different sub-areas.

Building up savings

One of the most important characteristics of resilience to financial difficulties is whether consumers have any savings that, at least in the case of temporary financial problems, help avoid having to endure a significant drop in living standards or taking loans. In the surveys, an active saver was someone who had made some savings in the previous one year, not including deposits. Compared to the average of 70%, Hungary finished with 51% at the bottom of the mid-table, which represents a significant improvement both in terms of the proportion of savers and our position in the ranking, as we were last in both 2015 and 2011 with an indicator of 25%.

Consideration whether a particular product or service is financially affordable before buying

The average rate was 71% for the countries surveyed. Hungary scored at 66%, which is not significantly different from the average, but is significantly lower than the previous 75%, and even more lower compared to the result of the 2011 survey, when 86% of respondents were considered prudent.

Settlement of bills on time

In terms of payment discipline, we have no reason to be ashamed, the 82% achieved is somewhat higher than the 79% average, and after a hopefully temporary decline (77%) we managed to return to the level of 8 years earlier.

Paying attention to finances

On average, 67% of respondents agreed with the statement that they pay regular attention to their finances, including, for example, the preparation of the household budget, the avoidance of unnecessary expenses, and the recording of income and expenses. In the case of Hungary, however, this ratio was the lowest value with 47%. In the previous survey, we scored 56%, which was also one of the weakest at the time, while in 2011 it was 70%.

Setting long-term financial goals

Among the respondents, the setting of long-term financial goals and the pursuit of achieving them is true for an average of 49%, and for Hungarians this is only 35%, with a lower proportion measured in only three countries. The value of the indicator clearly indicates a decreasing trend in Hungary, as in 2015 43% gave a positive answer to the question, while in 2011 this ratio was 52%.

Insufficient coverage of costs

The question here was whether there had been a situation in the previous year where the respondent did not have sufficient income to pay his/her expenses. About a third of the respondents (35%) indicated this, covering a rather wide range (12–62%), in Hungary their ratio was 20%.

Dealing with financial difficulties

Those who answered yes to the previous question were also asked how they handled the situation the last time revenues proved insufficient. Several answers could be given here, and the results seem methodologically flawed, as 20% took out a loan officially, 43% informally (from relatives, friends, illegally operating lenders), that is, if all of them have applied for a loan either only formally or only informally, the proportion of those who have taken out a loan is still at least 43%. As a result, the proportion of those who did not take out a loan in any form could be maximum 57%, but 74% of those surveyed gave such an answer. The fourth option was late payment of bills or exceeding the existing credit line, which was indicated by 16%. In Hungary, 66% of the respondents did not take out a loan, 54% took out an official loan, 26% took out an informal loan, and 53% applied for late payment or overdraft.

Evaluation of the results of the financial behavior component

Based on financial behavior, the average score was 5.3 points (the maximum available was 9). Hungary finished in the penultimate position with 4.5 points. Unfortunately, the situation here is practically the same as on the previous two occasions: in 2015, we were last with 4.3 points, while 4 years earlier we were tied for the penultimate position with 4.9 points.

If we consider the minimum expected level, i.e. the proportion of those who reached at least 6 points, the average here was 49%; Hungary also ranks penultimate in this list with an indicator of barely 30%, which is only slightly better than the 25% achieved in the previous survey and clearly weaker than the 38% achieved in 2011.

PREVALENCE OF FINANCIAL PRODUCTS

The survey also tried to provide an answer to how many types of financial products and services consumers know and which ones they use. Although this component is only ancillary in nature, as its values are not included in the aggregate, it is worth addressing, whereas, in addition to the level of financial literacy, the prevalence of financial products and a well-designed consumer protection framework are essential for individuals to be able to make independent, prudent and informed financial decisions and contribute greatly to the stability of financial systems.

Knowledge of financial products

This question focused on how many products and services consumers can name. The minimum expected level was determined by knowing at least five types of products and services, with the average of those who met this requirement is 83%, with the Hungarians achieving a slightly better ratio of 84%. It is worth noting here that supply-side or even demand-side constraints might make it difficult for consumers to access the products most suitable for them, and the fact that someone has heard of a product does not necessarily mean that he or she is aware of its features and usability.

Use of financial products

The frequency of choosing financial products and services can be a good measure of the extent to which consumers monitor the products they have previously purchased, examine whether it is still suitable for

them, or whether it may be available on similar but more favorable terms as a different product on the market. If individuals do not address this, it can make it convenient for service providers, as they are not forced to compete for consumers, which can result in the latter having access to financial products at a higher cost.

Respondents had to answer whether they had used a financial product or service in the previous year. On average, 46% answered yes to this question, with Hungary having the second lowest value in this respect with 24%. The result of the previous survey can only be partially compared to the current one, as the question was asked regarding not a one-year period, but for a two-year period, although in regards of ranking position, our situation is practically the same, since we finished last.

Usage of financial products

Here, the proportion of consumers with different financial products was assessed, which was divided into four groups: products that function as a means of payment (e.g. checking account, debit card, mobile phone applications), credit products (including credit cards), insurance, and pension or other savings products. Looking at the average of the 23 countries examined, the prevalence of payment instruments is 70%, followed by savings with 50%, then credit products with 44% and insurance with 37%. In the case of Hungary, the prevalence of payment instruments is the same as in other countries, that of insurance is slightly above average (42%), while that of credit products (27%) and that of savings (25%) lags behind, with the latter accounting for only half the average.

The low level of savings is not entirely in line with the findings of the financial behavior survey, which found that half of the population was able to generate savings in the year preceding the survey. The significant difference between the two values can be partly explained by the fact that in the latter case the question was only whether the person had set aside money in the previous year, it was not a question of whether the savings thus generated were still available or if they were used in the meantime.

The survey also examined the results achieved by the respondents in the field of financial literacy, depending on the number of financial products and services they use. The average result was 46% for those who did not use financial products or services at all, 56% for those who used one type of financial product or service, and 66% for those who used multiple types of financial products or services. For some countries this trend was not fully realized, but the overall result can be considered quite clear. Of course, this isn't too surprising, as it is probable that one of the preconditions for using several products and services is to know them.

RESILIENCE TO FINANCIAL DIFFICULTIES

The survey examined how well individuals can be considered prepared for either sudden short-term or specifically long-term potential income cuts or expenditure increases. A good example of the former is a long-term illness, the loss of a job or the occurrence of damages due to natural forces for which no insurance has been taken out, while in the latter case, the most common occurrence is retirement. Six components of financial resilience have been identified, these are as follows.

Paying attention to finances

As detailed above, Hungary is considered to be the worst performer in this aspect, with only 47% of respondents stating that they closely monitor their finances, i.e. plan their expenditures and revenues, avoid unnecessary expenditures, and do not finance their living costs and the purchase of non-durable consumer goods by credit. The average for all countries was 67%.

Expenditure control

This aspect has also been mentioned before; our compatriots consider in a slightly lower than average proportion (67%) whether they really need the given product or service, or whether they can afford it. In terms of due-date settlement of bills, the 82% indicator is even slightly higher than the average, so we do not lag behind in this component.

Size of financial reserves

Consumers, even at their own discretion – e.g. continuing their studies, taking unpaid leave due to longer vacations –, or inadvertently may find themselves in a situation where their current source of income ceases and is not replaced by another. The survey aimed to determine how long existing financial reserves would allow the financing of past living costs without borrowing or moving to another property. 35% of Hungarians have enough reserves for up to 3 weeks, 28% have enough for 1–2 months, 16% have enough for 3–5 months and only 12% see it as being enough to be able to finance themselves for at least half a year, while 11% could not determine a duration. (Due to rounding up, the sum of the partial results is more than 100%.) These values are considered to be less favorable than the average for all countries, but the extent of

the difference is not significant. There are surprisingly large differences between countries: the proportion of those with sufficient reserves for at least six months is highest in Hong Kong (55%), followed by South Korea at 37% and Austria at 34%, all other countries are below 30%, with the lowest being Romania with 7%. On the opposite extreme, i.e. where the reserve is sufficient for up to 3 weeks, Hong Kong has the lowest rate not too surprisingly (6%), followed by Italy (10%) and Austria (12%), with Indonesia (46%), Georgia (50%) and Montenegro (52%) with the worst values. Interestingly, while virtually everyone in Hong Kong responded with a specific value, in Italy 44% of those surveyed were unable to determine how long their own financial reserves would be sufficient. This proportion is remarkably high, with the next highest in Romania, Malaysia and Indonesia, all with 22% respectively.

Insufficient coverage of expenses, financial stress

Here, on one hand, it was assessed whether respondents were in a situation where their income did not cover their expenses during the previous year: among Hungarians 20% answered yes, while the average value was 35%. On the other hand, three questions were asked to assess the financial stress felt, namely: „I'm used to worrying about paying my usual living expenses.“, „I'm afraid I don't have enough money.“, „I'm just barely making it financially.“ In Hungary, 24% of consumers agreed with at least one of the statements - with a minimum deviation for each statement - while the countries participating in the survey averaged 40%, so despite the fact that we are in a relatively favorable position compared to other countries, this is not a reassuring result.

Financial planning

This component includes the setting of long-term financial targets and the consistent creation of savings to achieve them. It has already been mentioned above that only 35% of Hungarians have a long-term savings plan, compared to the average of 49%, and the proportion of those who were able to save in the last year is also much lower (51%) than the average, which is 70%.

Becoming a victim of abuse

In this section, an attempt was made to assess the extent to which consumers have fallen victim to various types of financial abuse, e.g. pyramid schemes, phishing, and the extent to which they have faced situations

in which their claims have been rejected by financial institutions. Among the latter, there is a question which, in my view, does not make it clear whether the person's otherwise legitimate claim has not been satisfied or that the person has not fulfilled a condition laid down by law. Such an issue is e.g. whether the bank has rejected your account opening request for any reason. Nor can a clear conclusion be drawn about exposure to abuse based on as to whether someone has made a formal complaint about a financial service.

All in all, it can be stated that the rate of abuse is fortunately low both for the examined countries as a whole and for Hungary too, with the exception of a few countries (Colombia, Peru, Indonesia, Malaysia) where participation in pyramid schemes and personal financial information acquisition by deceptive telephones and emails is relatively common (10–20%).

Summary

Based on the results of international surveys conducted by the OECD, the level of financial literacy in Hungary is not too bad compared to other countries, we performed quite well in the area of financial attitude, but in financial behavior, which is the most important area, we finished in the penultimate place. One of the main reasons for this is probably the lack of a proper approach (e.g. lack of interest in tracking finances), which in practice is embodied in actual financial decisions. There is no significant change compared to the previous results in 2011 and 2015, however, we have achieved the weakest result in terms of attitude now.

If we look not primarily at our relative position compared to other countries, i.e. our position in the middle, but in terms of performance in the absolute sense, we get a much gloomier picture. The maximum 100% does not correspond to an outstanding level, but only to a basic level, of which 67% can be considered the minimum expected level, therefore the 59% achieved must be interpreted as meaning that Hungary could not even achieve the latter. This is supported by the fact that, looking at the three components separately, only 30, 55 and 56% of Hungarians were able to meet the minimum level.

In order to change this unfavorable situation, which has existed for years, more extensive and effective education and information programs are needed, especially with regard to the most important segment, financial behavior. The basis of this is, among other things, the level of reserves that can be used in the event of an unexpected loss of income, the lack of which can put whole families into difficult situations en masse. Unfortunately, there is a current example for this: restrictions imposed worldwide due to the COVID–19 epidemic in entire economic sectors, such as hospitality and accommodation, have resulted in workers being either made redundant or their earnings reduced significantly.

The most effective way to increase the level of financial literacy is to increase financial knowledge, as this also has a positive effect on behavior through attitude; school-based financial education, which should start in primary schools, can play a key role in this. In some key areas (e.g. retirement savings), targeted warnings to the adult population are also recommended, as there is a need for incentives in addition to prior knowledge transfer, even when the person already has an income, part of which can be used to create savings.





Katasztrófaetika az ökológiai diskurzusban

Összefoglalás: A társadalmak, az emberiség fennállása óta szembesülnek természeti katasztrófákkal, amelyeket jól-rosszul megtanultak kezelni. Ezeket nem egyszer, öntudatlanul vagy tudatosan, ők maguk idézték elő. Ám az ipari társadalom kibontakozása óta ezek egyre gyakoribbá váltak. A tanulási folyamat során maga a katasztrófakezelés is „iparággá” vált. Ahogy közben a gazdasági és ipari folyamatok elemzésében egyre nagyobb teret nyert az etikai szemléletmód, úgy erősödött a katasztrófák elemzésének terén is. Ma már szinte elképzelhetetlen az ökológiai diskurzus az etikai elemek bevonása nélkül. Nagyon lendített ennek a szemlélet- és elemzésmódnak a népszerűségén az utóbbi időket fémjelző Covid-világjárvány is. Jelen írás célja röviden bemutatni hogyan van jelen az etikai nézőpont a katasztrófákról szóló tudományos közbeszédben.

Kulcsszavak: Katasztrófa, veszély, kockázat, etika.

Abstract: Societies have faced natural disasters since their existence, which they have learned to deal with well or badly. These were not once, unconsciously or consciously, caused by themselves. But since the advent of industrial society, these have become more common. During the learning process, disaster management itself has become an “industry”. Meanwhile, as the ethical approach gained more and more ground in the analysis of economic and industrial processes, so did the analysis of disasters. Today, ecological discourse is almost unthinkable without the involvement of ethical elements. This approach has been greatly boosted, and the popularity of the method of analysis has also been marked by the recent Covid pandemic. The purpose of this paper is to briefly present how the ethical perspective is present in scientific public discourse on disasters.

Keywords: Catastrophe, disaster, danger, hazard, ethics.

* *Partiumi Keresztény Egyetem*
E-mail: zzakota@gmail.com

[1] Arcanum, „katasztrófa,” Arcanum Adatbázis Kft. <https://www.arcanum.hu/hu/online-kiadvanyok/Lexikonok-a-magyar-nyelv-ertelmezo-szotara-1BE8B/k-33922/katasztrófa-3457B/>. [Hozzáférés dátuma: 08. 04. 2021.]

[2] Arcanum, „katasztrófa,” Arcanum Adatbázis Kft. <https://www.arcanum.hu/hu/online-kiadvanyok/Lexikonok-magyar-etimologiai-szotar-F14D3/k-F287B/katasztrófa-F29EC/>. [Hozzáférés dátuma: 16 04 2021.]

[3] Larousse, „Accueil > langue française > dictionnaire > désastre,” <https://www.larousse.fr/dictionnaires/francais/d%C3%A9sastre/24249>. [Accesat 24. 01. 2021.]

[4] Merriam–Webster (2021): „disaster noun,” <https://www.merriam-webster.com/dictionary/disaster>. [Accesat 24. 01. 2021.]

[5] Cambridge Dictionary, „Meaning of disaster in English,” *Cambridge University Press*. 2021. <https://dictionary.cambridge.org/dictionary/english/disaster>. [Accesat 24. 01. 2021.]

Katasztrófa, veszély, kockázat

KATASZTRÓFA

Az Arcanum értelmező szótára szerint:

„katasztrófa főnév *..fát, ..fája* (régies írva: *catastroph*a is)

1. Rendsz. hirtelen bekövetkező, megdöbbentő arányú szerencsétlenség. [...]

2. Nagyarányú, sok embert érintő baleset, természeti csapás. [...]

Szóösszetétel(ek): *katasztrófapolitika; katasztrófapolitikus.*” [1]

Az etimológiai szótárban pedig a következő meghatározást és magyarázatot találjuk:

„katasztrófa – ‘szerencsétlenség, súlyos, végzetes csapás’. – katasztrófális: ‘végzetes, súlyos’: *katasztrófális vereség*. Nemzetközi szó a latin *catastroph*a (‘fordulat dráma cselekményében’) alapján; ez a görög *katasztróphé* (‘fordulat, felfordulás, vég’) megfelelője a *katasztrephó* (‘megfordít’) igéből: *kata-* (‘el, vissza’) és *trephó* (‘fordít’). A magyar *katasztrófális* a német *katastrophal* átvétele latinositott végződéssel.” [2]

A francia nyelvben a *désastre* terminus használatos, melynek értelme: „Catastrophe, événement funeste; grand malheur, dégâts qui en résultent”, vagyis: katasztrófa, végzetes esemény; nagy szerencsétlenség, ebből eredő kár. Ez viszont az olasz *disastro*, azaz *de astro*, valamely csillag befolyása által okozott történésre utaló kifejezésből származik. [3]

Hasonló értelme van az angol *disaster* főnévnek is: ”a sudden calamitous event bringing great damage, loss, or destruction”, vagyis egy hirtelen bekövetkező, nagy károkat, veszteségeket vagy pusztulást okozó esemény, közvetlen utalással a *natural disasters*, vagyis természeti katasztrófák, mint hirtelen vagy nagy szerencsétlenség, illetve hiba, címszóra: ”a sudden or great misfortune or failure” [4].

Hasonló értelmezésekkel találkozunk más szótárakban is: ”(an event that results in) great harm, damage, or death, or serious difficulty”, vagyis nagy kárt, halált vagy súlyos nehézséget okozó esemény [5], illetve olyan váratlan

esemény, például nagyon súlyos baleset, áradás vagy tűz, amely sok embert megöl vagy sok kárt okoz: "an unexpected event, such as a very bad accident, a flood or a fire, that kills a lot of people or causes a lot of damage" [6]

Az utolsó definíció az, amelyik a legközelebb áll a szaknyelvben használthoz. Így a Vöröskereszt és a Vörös Félhold Társaságok Nemzetközi Szövetsége (IFRC) a következő meghatározást használja: „A katasztrófa hirtelen bekövetkező esemény, amely súlyosan megzavarja egy közösség vagy egy társadalom működését, és emberi, anyagi, gazdasági vagy környezeti veszteségeket okoz, amelyek meghaladják a közösség vagy a társadalom azon képességét, hogy saját erőforrásaival megbirkózzon vele. Bár gyakran a természet okozza őket, a katasztrófák emberi eredetűek is lehetnek.” [7]

Ugyanez a forrás a katasztrófák egy másik elemére is felhívja a figyelmet, nevezetesen az áldozatok sebezhetőségére. „Katasztrófa akkor következik be, amikor a veszély sebezhető embereket érint. A veszély, a sebezhetőség és a kockázat lehetséges negatív következményeinek csökkentésére való képtelenség kombinációja katasztrófát eredményez.” [7]

VESZÉLY

A katasztrófák témájához szorosan kapcsolódik a veszély fogalma is. Ugyanezen forrás szerint a veszély egy „fenyegető esemény, vagy annak a valószínűsége, hogy egy potenciálisan káros jelenség egy bizonyos időszakban és területen bekövetkezik”. [8] A veszélyeket a következőképpen osztályozzák:

- természeti veszélyek: természetes vagy fizikai jelenségek, amelyeket gyors vagy lassú események okoznak, melyek forrása lehet:
 - geofizikai (földrengések, földcsuszamlások, szökőár és vulkáni tevékenység),
 - hidrológiai (lavinák és áradások),
 - éghajlati viszonyok (szélsőséges hőmérsékletek, aszály és tüzesetek),
 - meteorológiai (ciklonok és viharok / hullámok)
 - biológiai (járványok és rovarok / állatok kártevői).
- technológiai vagy ember által előidézett veszélyek: ezek olyan események, amelyek emberi településeken vagy azok közelében fordulnak elő. Ezek a következők lehetnek:

[6] Oxford Learner's Dictionaries, „disaster noun,” Oxford University Press, 2021. <https://www.oxfordlearnersdictionaries.com/definition/english/disaster>. [Accesat 24. 01. 2021.]

[7] IFRC, „What is a disaster?,” International Federation of Red Cross and Red Crescent Societies, 2021. <https://www.ifrc.org/en/what-we-do/disaster-management/about-disasters/what-is-a-disaster/>. [Accesat 24. 01. 2021.]

[8] IFRC, „Types of disasters: Definition of hazard,” *International Federation of Red Cross and Red Crescent Societies*. 2021. <https://www.ifrc.org/en/what-we-do/disaster-management/about-disasters/definition-of-hazard/>. [Accesat 24 01 2021.]

[9] UNDRR, „Understanding risk”
United Nations
Office for Disaster
Risk Reduction,
2020–2021. [https://
www.undrr.org/build-
ing-risk-knowledge/
understanding-risk](https://www.undrr.org/building-risk-knowledge/understanding-risk).
[Hozzáférés dátuma:
25. 01. 2021.]

- környezetromlás,
- szennyezés,
- összetett vészhelyzetek / konfliktusok,
- éhínség,
- lakosság-kitelepítések,
- ipari balesetek,
- szállítási balesetek.

A veszélyeket illetően ugyanaz a forrás utal bizonyos járulékos tényezőkre is, amelyek a katasztrófák gyakoriságának, összetettségének és súlyosságának növekedését eredményezik, mint például:

- klímaváltozás,
- nem tervezett urbanizáció,
- fejletlenség / szegénység,
- járványveszély,

amelyek a jövőben humanitárius segítséget tehetnek majd szükségessé.

KOCKÁZAT

Ami a kockázatot illeti, meghatározása és megfelelő leírása megtalálható az Egyesült Nemzetek Katasztrófakockázat-csökkentési Hivatalának (United Nations Office for Disaster Risk Reduction UNDRR) honlapján. Eszerint „a kockázat annak a valószínűsége, hogy egy esemény negatív hatással lesz emberekre, rendszerekre vagy eszközökre”. [9]

A dokumentum felhívja a figyelmet azokra a kockázati tényezőkre is, amelyek nem eléggé ismertek vagy amelyek nem kapnak kellő figyelmet. Ezek, röviden, a következők [9]:

- A kockázatot általában a veszély, a veszélynek kitett eszközök és személyek, valamint a kitett elemek sebezhetősége együttes hatásainak függvényében értelmezik.
- A kockázat azoknak a döntéseknek az eredménye, amelyeket azon veszélyek kapcsán hozunk, amelyeknek hajlandók vagyunk magunkat kitenni.
- A kockázat megértésének legtöbb létező modellje és megközelítése múltbéli adatokon és megfigyeléseken alapul, feltételezve, hogy a múlt ésszerű útmutató lehet a jelenhez és a jövőhöz.

- Mivel a bolygó egymással összekapcsolt rendszerek hálózata, a kockázat összetett jelenség, amelynek dinamikája megköveteli a múltbeli és a jövőbeli kockázat kapcsolatára vonatkozó hipotézisek felülvizsgálatát.
- Meg kell szakítani a *katasztrófa* > *reakálás* > *helyreállítás* > *megisméltés* körfolyamatot azzal, hogy tovább lépünk a múltbeli megoldások „továbbfejlesztett” változatainak átépítésétől olyanok kidolgozása felé, amelyek kezdettől fogva jobbak, mind a meglévő kockázati források csökkentése, mind pedig újak létrehozásának elkerülése által.
- Csökkenteni kell a kockázatokat, nemcsak megelőzni a katasztrófákat; a társadalmi, gazdasági és környezeti kockázatokra vonatkozó beruházások megalapozása normává kell váljon.

A katasztrófák etikus megközelítésének szükségessége

KISZÁMÍTHATATLANSÁG

A katasztrófák alapvető tulajdonsága a kiszámíthatatlanság. Nagyon nehéz megjósolni egy katasztrófa helyét és különösen annak időpontját, de még nehezebb előzetesen felmérni a lehetséges társadalmi, gazdasági és/vagy természeti hatásait. Másrészt a katasztrófákat általában az erőforrások hiánya jellemzi, ezért szükség van a szelekció, az allokáció és a racionalizálás kombinációjára.

A legutóbbi, különféle egységeket és egészségügyi rendszereket érintő katasztrófák tapasztalatai kiemelték a korai felkészültség fontosságát minden típusú katasztrófa esetében. Egy kiválasztási mechanizmus és egy etikai keretrendszer megléte feltétlenül szükségesek a döntéstámogatásához, különféle katasztrófák esetén.

Egy demokratikus társadalomban, a megszokott, hétköznapi etika érvényessége rendkívüli időkben elengedhetetlen témája a vészhelyzetekre való felkészülésnek, mint polgári gyakorlatnak. Egy vészhelyzeti terv etikai elfogadhatósága a rendelkezéseinek a tartalmától, illetve annak folyamatától függ, amelynek során ezeket a rendelkezéseket megvitatják, megfogalmazzák és végül elfogadják.

A Sürgősségi etika: Közegészségügyi felkészültség és reagálás című kötetben megjelent írásukban, Bruce Jennings és John Arras állampolgári szempontból vizsgálja a felkészülés-tervezést és a sürgősségi reagálást, olyan tevékenységi formáknak tekintve azokat, amelyekbe a hétköznapi polgároknak részt kellene venniük, egyrészt a közösséghez való tartozás, másrészt a szolidaritás érzései miatt.

A közösségi tagság azt jelenti, hogy mindenki része a közösségnek, mind az érdeke, mind a kiszolgáltatottsága miatt. A szolidaritást pedig felelősségnek tekintik másokért és a közösség egészének egészségéért.

[10] Jennings, B.–
Arras, J. D. (2016):
„Ethical Aspects
of Public Health
Emergency Prepared-
ness and Response,”
In: *Emergency Ethics.
Public Health Prepar-
edness and Response.*
Oxford University
Press. Pp. 1–103.

Ennek alapján a szerzők a vészhelyzeti készülség megközelítésének két módját különböztetik meg, nevezetesen [10, p. 9]:

- *fogyasztói szempontból* a vészhelyzeti tervezés lényegében egy speciális szolgáltatás, amelyet a félő és kiszolgáltatott embereknek saját maguk védelmében meg kellene vásárolniuk, adófizetőként; ebből kifolyólag, az egyének alávetik magukat a szakértők által kidolgozott és végrehajtott terveknek.
- *polgári szempontból* a polgárok részt vesznek a vészhelyzeti tervezésben és együttműködnek annak végrehajtásában.

A fentebbi két szempont ilyen sarkalatos szembeállításával elég nehéz egyetérteni, legalábbis egy demokratikus társadalomban. A vészhelyzeti tervezés közpénzekből való finanszírozása ugyanis megköveteli néhány elvi és gyakorlati alapelv tiszteletben tartását:

- az adófizetőnek, mint finanszírozónak, joga van megismerni az illető terveket részletekbe menően;
- a tervek elkészítőinek, implementálóinak, illetve az elfogadott megoldások üzemeltetőinek biztosítaniuk kell az átláthatóságot, minden (műszaki, gazdasági, pénzügyi stb.) szempontból;
- a veszélyzónák lakosságát ajánlatos bevonni a tervek kidolgozásába, illetve végrehajtásába pusztán gyakorlati megfontolásokból is, mivel mérvadó lehet az idők folyamán felgyülemlett helyismerete;
- a veszélyzónák lakosságának elvi szinten is joga van megismerni minden olyan tervet, illetve annak kidolgozásában részt venni, amely közvetlenül érinti jövőjét, egészségét és életét.

Ezek a szempontok később a könyvben is megjelennek, a vészhelyzeti tervezés megvalósítandó célkitűzéseinek felsorolásakor.

ETIKAI CÉLKITŰZÉSEK

A két szerző hét etikai célkitűzést fogalmaz meg, amelyek felhasználhatók mind az előkészítési tervek tartalmának kidolgozásában, mind pedig abban a folyamatban, amellyel vészhelyzetben és a közvetlenül azt követő időszakban azokat frissítik és végrehajjtják.

Ezek a célkitűzések, [10, Pp. 13–14] szerint a következők:

- *Károk csökkentése és előnyök promóciója.* A sürgősségi készülségi helyzetekre való felkészülésnek a közbiztonságot, az egészséget és a jólétet kell megvédeniük. Minimalizálniuk kellene a halál, sérülés, betegség, rokkantság és szenvedés mértékét vészhelyzet alatt és után.
- *Emberek egyenlősége a szabadságban és a jogokban.* A vészhelyzeti készülségi tevékenységeket úgy kell megtervezni, hogy tiszteletben tartsák minden ember egyenlő szabadságát, autonómiáját és méltóságát.
- *Disztributív igazságosság.* A sürgősségi készülségi tevékenységeket úgy kell végrehajtani, hogy biztosítsák a vészhelyzetben érintett lakosságra háruló előnyök és áldozatok, valamint azok szükségességének igazságos megosztását.
- *Nyilvánosság, átláthatóság és befogadás.* A vészhelyzeti felkészülségi tevékenységeknek befogadó, átlátható és a közvélemény bizalmát élvező döntéshozatali folyamatokon kell alapulniuk.
- *A közösség ellenálló képessége és felhatalmazása.* A vészhelyzetekre való felkészülés egyik fő célkitűzése a rugalmas és biztonságos közösségek kialakítása kell, hogy legyen. Az ilyen helyzetekre vonatkozó előkészítő tevékenységeknek támogatniuk kell a közösségi források fejlesztésének hosszú távú célját, amely ellenállóbbá teszi őket a veszélyekkel szemben, és lehetővé teszi számukra a vészhelyzetek utáni megfelelő és hatékony felépülést.
- *Szakmaiság a közegészségügyben.* A sürgősségi készülségi tevékenységeknek el kell ismerniük a közegészségügyi szakemberek különleges kötelezettségeit és kompetenciáját és elő kell mozdítaniuk tevékenységeik koordinációját.
- *Felelős közéleti válasz.* A sürgősségi készülségi tevékenységeknek fejleszteniük kell a személyes és a polgári felelősségtudatot.

ETIKAI DILEMMÁK

A vészhelyzetekre való felkészülés alatt, majd később, ezek végrehajtása és kezelése során a felelős tényezők számos etikai dilemmával szembesülnek. Ezek következményei intenzív és tartós hatással lehetnek az állampolgárok anyagi, társadalmi és egészségi állapotára, sőt néha életükre is. Az alábbi felsorolás vészhelyzetekre jellemző etikai dilemmákat tartalmaz, a kézikönyv alapján [11, p. 10]

[10] Jennings, B.–Arras, J. D. (2016): „Ethical Aspects of Public Health Emergency Preparedness and Response,” In: *Emergency Ethics. Public Health Preparedness and Response.* Oxford University Press. Pp. 1–103.

[11] Schwab, A.–Beatley, T.: „Catastrophe Readiness and Response. *FEMA Initial Ethics Training.* Session 4,” Course Hero, Inc., 2019. <https://training.fema.gov/hiedu/docs/crr/catastrophe%20readiness%20and%20response%20-%20session%204-ethic.doc>. [Accessed 25. 01. 2021.]

- Hogyan lehet etikailag meghatározni az előnyök és hátrányok allokációját és elosztását egy katasztrófa bekövetkezése előtt, alatt és után?
- Hogyan állapíthatjuk meg a nem kívánt következmények szükséges voltát?
- Hány közösségnek vagy érintettnek kell részt vennie a katasztrófális eseményekre való felkészülésben ahhoz, hogy azt etikusnak lehessen tekinteni?
- Hogyan állapíthatjuk meg a felelősség és a kötelesség szerepét a katasztrófákra adott válaszokban? Ki felel a választért? Milyen típusú válaszokra van szükség? Ki fizeti a választ?
- Mi a szakmai kötelességek és felelősségek jellege és mértéke a katasztrófaelhárítás során? Veszélybe kerülhetnek-e a felelősök a sürgősségi beavatkozások során? Van-e etikai kötelessége a mentésre akkor is, ha ez veszélyeztetheti a saját életét?
- Hogyan viszonyulnak a magánfeladatok a közfeladatokhoz? Kell-e a kormánynak etikailag proaktívnak lennie? Többé vagy kevésbé kell aktívnak lennie, mint az egyéneknek és családoknak?
- Hogyan állapíthatjuk meg, hogy kié a kötelesség („erkölcsi közösségünk”)? A segítséget elsőként érkezett – elsőként kiszolgált sorrendben nyújtják? Hogyan kezeljük a különösen sebezhető közösségeket? Az idősek és a betegek több vagy kevesebb forrást kapnak-e? Hát a szegények? A bevándorlók? Rabok?
- Hogyan alkalmazzuk etikusan a politikai döntéseket, és hogyan az egyéni jogok korlátozásait, mint például a rendkívüli állapot, a karantén, az elszigeteltség, a kötelező evakuálás? Fontosabb az autonómia a közbiztonságnál vagy fordítva?
 - Fel lehet függeszteni vagy lehet-e módosítani a tisztességes eljárást vészhelyzet esetén? Fel lehet-e függeszteni más alkotmányos jogokat?
 - Korlátozhatja-e a kormány a személyes és a családi szabad mozgást (például megakadályozhatják-e a családokat abban, hogy visszatérjenek otthonaikba és környékükre, hogy gyakorolhassák tulajdonjogukat, ha a feltételek bizonytalanok?)
 - Mit kezdünk azokkal a lakosokkal, akik nem hajlandók betartani az evakuálási parancsot? Mi az etikai felelősség velük szemben? Milyen jogi következmények vannak?
- Milyen kötelezettségek vannak a nyilvánossággal szemben a közelgő katasztrófális eseményekről szóló üzeneteket és kommunikációt illetően? Hogyan egyensúlyozzunk ez és a pánik, illetve közvélemény túlzott reagálása elkerülésének szükségessége között? Milyen szerepet játszik a média a figyelmeztetések és más információk nyilvánossághoz hozatalában? Milyen szerepet kell játszania a médiának (például mit kell tennie a médiának etikusan?)

Katasztrófák etikai elméletei

A katasztrófaetika szempontjából számos különösen releváns elmélet létezik. David Etkin szerint, ezek a következők:

- utilitarizmus vagy konzekvencionalizmus,
- deontológia vagy kanti etika,
- az erény etikája,
- a társadalmi szerződés elmélete,
- környezeti etika,
- üzleti etika vagy vállalati társadalmi felelősségvállalás.

A szerző véleménye szerint egy adott probléma elemzéséhez nem kötelező egyetlen etikai elméletet használni. Az etikai pluralizmus szempontja szerint számos elmélet hasznos lehet, még akkor is, ha ellentmondanak egymásnak. Így figyelembe tudnánk (és valószínűleg kellene) is venni az egyes cselekedetektől származó nettó társadalmi előnyöket, valamint az érintett emberek alapvető jogait és kötelességeit, és kiegyensúlyozni ezeket a gyakran ellentmondó megközelítéseket. [12, p. 279]

Az *utilitarizmus* feltételezi, hogy egy cselekvés általában akkor jó, ha összességében hozzájárul az általános boldogsághoz, vagy a társadalom valamely más céljának vagy előnyének eléréséhez. Néha a „legnagyobb jó a legtöbбекnek” vagy „a legnagyobb jó az összes érintett számára” kifejezések jellemzik. Ez az érvelés lehetővé teheti, hogy rossz dolgok történjenek az emberekkel, amennyiben a cél igazolja az eszközöket. Ennek az elméletnek az a lényege, hogy kikényszeríti a cselekvések következményeinek megfontolását. Használatában négy alapvető lépés van:

- megfontolni, hogy kit vagy mit érint,
- átgondolni, mi lesz a következménye,
- maximalizálni a hasznosságot,
- minimalizálni az ellen-hasznosságot.

Ez a filozófia képezi számos humanitárius segítségnyújtás alapját. Egyik fő gyengesége azonban, hogy konkrét helyzetekben nehéz meghatározni a „legnagyobb jót a legtöbбекnek”. A haszonelvű érvek erősek a katasztrófa-etika szempontjából és fontos szerepet játszanak ezek kezelésében, feltéve, hogy az alapvető emberi jogokról és kötelezettségekről szóló etikai gondolkodás korlátozza őket. [12, Pp. 28–282]

[12] Etkin, D. (2016): *Disaster Theory. An Interdisciplinary Approach to Concepts and Causes*. Amsterdam: Elsevier Inc.

[12] Etkin, D. (2016): *Disaster Theory. An Interdisciplinary Approach to Concepts and Causes*. Amsterdam: Elsevier Inc.

A *deontológia*, mint kötelességalapú etika, azt állítja, hogy vannak alapvetően jó és rossz elvek, amelyek függetlenek a helyzettől és amelyeket kell vagy nem kell követni, még akkor is, ha az eredmények ellentétesek. Immanuel Kant, ennek az elméletnek az egyik megalapozója, két imperatívuszt fogalmazott meg, amikor megpróbálta racionális reflexióval alátámasztani az etikai ítéleteket:

- Univerzalizálhatóság/visszafordíthatóság (Aranyszabály): Csak annak a maximumának megfelelően cselekedj, amelyről azt is szeretnéd, hogy univerzális törvény legyen.
- Tisztelet (a kizsákmányolás hiánya): cselekedj úgy, hogy soha ne bánj az emberiséggel, akár a saját, akár bármely más személyében, mint egyszerű eszközzel, hanem mindig célként is.

Az intrinszek jogok, hibák és kötelességek fogalma hosszú múltra tekint vissza a társadalomban és az utilitarista elméletében meglévő fontos hiányosságot pótol. A deontológia számos módon támasztja alá a társadalom katasztrófákra való felkészülését és a rájuk való reagálását. Mindazonáltal, különböző értékek különböző feladatsorokhoz vezethetnek és a bizonyos feladatokhoz társuló rugalmatlanság nehézségeket okozhat. [12, Pp. 283–285]

A *társadalmi szerződés* elmélete szerint az állampolgárok, a szerződés részeként feladják szabadságaik egy részét, cserébe a kormány által kínált előnyökért. A társadalmi szerződés az alapja a legtöbb enyhítési, megelőzési és felkészülési intézkedésnek, amelyeket a kormányzat különböző szintjei hajtanak végre, de van egy nem eléggé világos és aggasztó terület, ahol a kormányzati beavatkozás túlzott lehet. [12, Pp. 286–287]

A *paternalizmus* fogalma arra utal, hogy a személyes szabadságjogokat mennyire kell szentnek tekinteni, illetve, hogy a kormány mennyire engedheti meg magának, hogy korlátozza ezeket a szabadságjogokat. A paternalisztikus cselekedetek arra hivatottak, hogy megvédjék az egyéneket önmaguktól, azonban felmerül a kérdés, mennyiben igazolható az állam paternalisztikus döntéshozatala? [12, P. 288]

Az *erény etikája* a helyes cselekvés helyes módjára helyezi a hangsúlyt. Az etika ezen formája nem kifejezetten a cselekvéseket veszi figyelembe, hanem; inkább azt teszi megfontolás tárgyává, hogy milyen jellemvonásokat és erényeket kell elsajátítania az embernek ahhoz, hogy azok segítsenek neki erkölcsös életet élni és erkölcsös cselekedeteket választani. Ami a katasztrófák megtervezését és kezelését illeti, szá-

mos fontos jellemvonás létezik. A hálózatok és a személyes kapcsolatok elengedhetetlenek a hatékony katasztrófavédelemhez és ha hiányoznak a bizalmi kapcsolatok, bármely folyamat működőképtelenné válhat. [12, P. 290]

A *környezeti etika* mély biocentrikus ökológiai megközelítésének az alapja, hogy az embereknek vannak adósságai a nem emberi élettel szemben, mivel annak belső értéke van, amely nem kapcsolódik az emberhez. A környezeti etika az utóbbi időben egyre fontosabbá válik a katasztrófák kezelésében a következők miatt:

- a természeti rendszerek leépülésének a természeti veszélyek súlyosbodásában betöltött szerepének egyre mélyebb felismerése;
- az egyre növekvő tudatosság és csalódás az emberi fajnak a természeti világ többi részére gyakorolt rendkívüli mértékű hatásaival kapcsolatban.[12, P. 293]

[12] Etkin, D. (2016): *Disaster Theory. An Interdisciplinary Approach to Concepts and Causes*. Amsterdam: Elsevier Inc.



Végrehajtó funkciók mérésének lehetőségei MaxWhere virtuális valóságban

Összefoglalás: A hétköznapi életben naponta több ezer komplex cselekvést hajtunk végre, amelyeknek alapvető feltétele, hogy agyunk megfelelően szervezze a különböző információk észlelését, az ezekre adott viselkedéses válaszokat, illetve a célok szerint koordinálja ezeket a folyamatokat. Ez a komplex működés kiterjed a kognitív folyamatokra, amelyek a célirányos viselkedés alapját képezik. Ezeknek az úgynevezett végrehajtó funkcióknak a vizsgálatára sokféle teszt létezik és manapság egyre gyakoribbá vált ezeknek virtuális valóságban történő mérése. Azonban ezek a vizsgálatok jellemzően csak egy-egy területre fókuszálnak. Jelen cikkben egy olyan MaxWhere-platformon futó vizsgálat kidolgozása a cél, amely lehetővé teszi egy virtuális térben mindhárom funkció (váltás, gátlás, munkamemória) mérését.

Kulcsszavak: Virtuális valóság, kognitív teszt, végrehajtó funkciók, Stroop-feladat, mentális forgatás.

Abstract: In everyday life, humans perform thousands of complex actions, that are based on the organizing ability of the human brain. A huge amount of different information is perceived, processed daily. Furthermore, the behavioral responses are also coordinated according to the goals. This complex function involves the cognitive processes that form the basis of goal-oriented behavior. Several types of tests examine these executive functions, and nowadays it is becoming more and more widespread to measure them in virtual reality. However, these studies typically focus on one area at a time. This paper aims to develop a test that allows the measurement of all three functions (shifting, inhibition, and working memory) in the same virtual space.

Keywords: Virtual reality, cognitive test, executive functions, Stroop task, mental rotation.

* Széchenyi István Egyetem,
Multidiszciplináris Műszaki
Tudományi Doktori Iskola
E-mail: sudar.anna@sze.hu

** Széchenyi István Egyetem,
Multidiszciplináris Műszaki
Tudományi Doktori Iskola
E-mail: berki.borbala@sze.hu

[1] Baranyi, P.–Csapó, Á. (2012): Definition and synergies of cognitive infocommunications. *Acta Polytechnica Hungarica*. 9. (1.) Pp. 67–83.

[2] Baranyi, P.–Csapó, A.–Sallai, G. (2015): *Cognitive Infocommunications (CogInfoCom)*. Berlin: Springer.

[3] Baranyi, P.–Csapó, A. (2010): Cognitive Infocommunications: CogInfoCom. In: *2010 11th International Symposium on Computational Intelligence and Informatics (CINTI)*. IEEE. Pp. 141–146.

Bevezetés

A mindennapi életben több ezer komplex cselekvést hajtunk végre, amelyhez elengedhetetlen, hogy az agyunk megfelelően szervezze az információk észlelését, a viselkedéses válaszokat, valamint a célnak megfelelően koordinálja ezeket a folyamatokat. Ez az összetett működés magában foglalja azokat a kognitív folyamatokat, amelyek a célirányos viselkedés alapját képezik és a prefrontális kéreghez köthetők. Ezek az úgynevezett végrehajtó működések, melyek a viselkedésszervezés alapját képezik. A funkcióegyüttes három fő alkotóeleme a gátlás, váltás és munkamemória. Ezeknek a mérésére már számtalan tesztet dolgoztak ki az elmúlt évtizedekben, és napjainkban egyre gyakoribbak a virtuális valóság alapúak is. Azonban ezek a vizsgálatok, legtöbbször csak egy-egy területre fókuszálnak. A jelen cikkben egy olyan virtuálisvalóság-alapú mérőtér bemutatása a cél, amely egyszerre méri mindhárom végrehajtó funkciót.

A mérőtér tudományos beágyazottsága

A virtuálisvalóság-alapú mérőterek jól beilleszthetők a kognitív infokommunikáció tudományterületébe, ami egy interdiszciplináris tudományterület, amelynek definíciója a következő:

„A kognitív infokommunikáció az emberek és az információ-technológiai eszközök kognitív csatornákra, illetve kognitív informatikai folyamatokra alapozott kommunikációjával foglalkozik. Célja: komplex érzékelő informatikai rendszerek létrehozása, amelyek hatékonyan segítik az ember gép kommunikációt.” [1]

Az infokommunikáció és a kognitív tudományok mellett, több más területtel együtt azt a célt tűzte ki, hogy szisztematikusan feltérképezze a kognitív folyamatok és az infokommunikációs eszközök koevolúcióját. [2], [3]

Egy olyan mérőeszköz kifejlesztése a cél, amely megfelelően méri a humán képességeket, az infokommunikációs technológiák és a kognitív infokommunikációs elveket szem előtt tartva, így a mérés közege is ezt a szemléletet tükrözi.

Végrehajtó működések

A végrehajtó működések esetében egy olyan funkcióegyüttesről van szó, amely a viselkedésszervező szerep mellett egy központi kontroll funkciót is ellát, mely felügyeli a viselkedések és az ezek mögött álló belső kognitív és egyéb pszichés folyamatokat, azonban ezt a folyamatos kontrollt nem igényli minden általunk végrehajtott viselkedés. A reflexes és rutinszerű cselekvések esetében azonban nincs szükség rájuk, mivel egyetlen közvetlen akcióval el lehet érni a kitűzött célt. [4]

A végrehajtó működések korai modelljeiben (Norman és Shallice nevéhez fűződnek) részletes leírások találhatók a frontális kéreghez köthető figyelmi szabályozórendszer funkcióinak összekapcsolásáról. [5] Az ellenőrző figyelmi rendszer (Supervisory Attentional System) a cselekvések és különböző tevékenységek kivitelezésének ellenőrzését és szabályozását végzi. Kutatásaikban kitérnek arra, hogy a feldolgozás és a cselekvés lehet automatikus, részben automatikus, vagy az ellenőrző figyelmi rendszer által felügyelt. Ez a rendszer lassú, akaratos azonban képes rugalmas stratégiák alkalmazására a problémák megoldása érdekében. [6]

Baddeley kutatócsoportja 1986-ban kidolgozott egy többkomponensű modellt, amelyben a központi végrehajtó működését az ellenőrző figyelmi rendszeréhez hasonlította. Az ő munkássága és kutatásai alapján vált világhosszá, hogy a rövid távú emlékezetre egy munkát végző aktív és dinamikus egységként érdemes tekinteni, amely alkalmas műveletek végzésére az információk tárolása mellett. [7] A hatékony problémamegoldás és komplex feladatok tanulásának esetében a munkamemória manipulálja fenntartja és koordinálja az egymástól független információkat a feladatok elvégzése alatt.

A 2000-es évek eleje óta a legtöbb eredmény a központi végrehajtó és a prefrontális kérgi területek felosztottságát mutatja, amelyben a végrehajtó működések egymással kapcsolatban álló, de viszonylag független alfunkciók jellemzik.

Miyake és munkatársai modellje [8] máig meghatározó szerepet tölt be a szakirodalomban, amely a végrehajtó funkciókat három alacsonyabb szintű csoportba osztja:

[4] Csépe V.–Győri M. –Ragó A. (2008): *Általános pszichológia 3.: Nyelv – tudat – gondolkodás*. Budapest: Osiris.

[5] Norman, D. A.–Shallice, T. (1986): Attention to action. In: *Consciousness and self-regulation*. Boston: Springer. Pp. 1–18.

[6] Shallice, T. (1982): Specific impairments of planning. *Philosophical Transactions of the Royal Society of London B: Biological Sciences*. 298. (1089.) Pp. 199–209.

[7] Baddeley, A. D.–Hitch, G. (1974): Working memory. In: Bower, G. H. (Ed.): *The psychology of learning and motivation: Advances in research and theory*. 8. New York: Academic Press. Pp. 47–89.

[8] Miyake, A.–Friedman, N. P.–Emerson, M. J.–Witzki, A. H.–Howarter, A.–Wager, T. D. (2000): The unity and diversity of executive functions and their contributions to complex “frontal lobe” tasks: A latent variable analysis. *Cognitive psychology*. 41. (1.) Pp. 49–100.

[9] Smith, E. E.–
Jonides, J. (1999):
Storage and execu-
tive processes in the
frontal lobes. *Science*.
283. (5408.)
Pp. 1657–1661.

[10] Sudár, A.–
Csapó, Á. B. (2019):
Interaction patterns
of spatial navigation
in VR workspaces.
In: *2019 10th IEEE
International Confe-
rence on Cognitive
Infocommunications
(CogInfoCom)*. IEEE.
Pp. 615–618.

- Feladatok közötti váltás.
- A munkamemória reprezentációinak frissítése és monitorozása.
- Prepotens válaszok gátlása.

A figyelmi váltás képessége lehetőséget ad arra, hogy egy feladatról, vagy mentális állapotról szükség esetén egy másikra váltsunk.

A munkamemória reprezentációinak frissítése és monitorozása során a bejövő információk és a munkamemória frissítése zajlik, ennek következtében az irreleváns információk gyors cseréje történik meg a munkamemóriában, azért hogy a feladatra nézve releváns és újabb információk kerüljenek tárolásra. Ez a képesség leginkább a prefrontális kéreg dorzolaterális részéhez kapcsolható. [9]

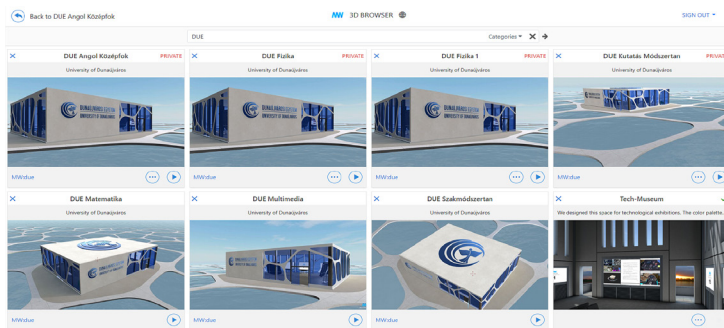
A prepotens válaszok gátlása során a domináns vagy automatikus válaszok gátlása történik az adott feladatnak megfelelően. A végrehajtó funkcióknak nélkülözhetetlen szerepe van a viselkedésszervezésben, azáltal, hogy egy központi kontrollmechanizmusként felügyelik az viselkedést és az a mögött álló belső mechanizmusokat. Annak ellenére, hogy ezeknek a funkcióknak a vizsgálatára számtalan teszt létezik, a három nagy csoport együttes vizsgálata igen ritka. Az általunk létrehozott virtuális valóságba helyezett megközelítés célja egy olyan komplex feladathelyzet megteremtése, melyben mindhárom alacsonyabb szintű funkció jól mérhető és vizsgálható.

MaxWhere virtuális valóság

A karakter alapú interfészeket (DOS) a 90'-es évek vége felé felváltották a grafikus, ablakokat használó rendszerek (Windows) mely evolúciónak a következő lépése a 3D-s térbeli objektumok és az ehhez kapcsolható virtuálisvalóság-alapú megközelítés lehet a számítástechnikában.

MaxWhere virtuális valóság egy asztali 3D VR-platform, amelynek legfontosabb jellemzője, hogy a virtuális terekben okostáblák vannak elhelyezve, amelyeken különböző kétdimenziós webtartalmakat, felhőalapú applikációkat, PDF dokumentumokat, képeket, hangfájlokat lehet megjeleníteni. A story funkció segítségével pedig egyedi bejárás is adható a felhasználó számára, amellyel könnyebben tájékozódhat és juthat el a tér olyan pontjaira, melyek kiemelten fontosak a térben elhelyezett tartalom struktúráltasága a szempontjából. [10]

1. ábra. Virtuális terek a MaxWhere böngészőben



Ezt az alkalmazást oktatásban is használják, mivel az okostáblákon a tananyagokat térben el lehet rendezni, csoportosítani, így átláthatóbbá válik egy összetettebb előadás is. Emellett háromdimenziós modellekkel is ki lehet egészíteni egy-egy oktatási teret. Az oktatásban a virtuális laboroknak is fontos szerepe van, hiszen ezek segítségével a hallgatók akár otthon is elvégezhetnek bizonyos méréseket a pontos szimulációknak köszönhetően. [11] A digitális tananyagok térbe rendezése nemcsak az elsajátítást, hanem a tartalmegosztást is hatékonyabbá teszi, az e-mail vagy Moodle használatához képest. [12] Továbbá a bonyolultabb munkafolyamatokat is gyorsabban végzik el a felhasználók, mivel kevesebb felhasználói beavatkozás, illetve gépi művelet szükséges a virtuális térben, mint egy klasszikus kétdimenziós interfészen. [13] Egy korábbi mérés alapján a felhasználók megtapasztalják a jelenlétérzést ebben a virtuális valóságban. [14]. A MaxWhere virtuális valóság használható akár asztali virtuális valóságként, vagyis nincs feltétlen szükség speciális VR szemüvegre, mivel egy számítógép kétdimenziós képernyőjén is meg tudja jeleníteni a háromdimenziós virtuális környezetet. A zökkenőmentes navigációt a CogiNav [15] technológia teszi lehetővé. Ez egy kontextusfüggő navigációs megoldás, amely lehetővé teszi, hogy a korábbi térbeli helyzethez vagy egy térben lévő tárgyhoz képest mozduljon el a felhasználó, akár egy egyszerű egér használatával. A CogiNav technológia három különböző műveletet különít el: a nézőpont-orientáció kontrollját, a nézőpont navigációját és a tárgyforgatást.

[11] Budai, T.– Kuczmann, M.: Towards a Modern, Integrated Virtual Laboratory System. In: *Acta Polytechnica Hungarica*. 2018. 15. (3.) Pp. 191–204.

[12] Lampert, B.–Pongrácz, A.–Sipos, J. – Vehrer, A.–Horváth, I.: MaxWhere VR-Learning Improves Effectiveness over Classical Tools of E-learning. In: *Acta Polytechnica Hungarica*. 2018. 15. (3.) Pp. 125–147.

[13] Horváth, I.– Sudár, A.: Factors Contributing to the Enhanced Performance of the MaxWhere 3D VR Platform in the Distribution of Digital Information, in *Acta Polytechnica Hungarica*, 2018. 5. (3.) Pp. 149–173.

[14] Berki, B.: Sense of presence in MaxWhere virtual reality. In: *Proceedings of the 10th IEEE International Conference on Cognitive Infocommunications: CogInfoCom* 2019. Pp. 91–94.

[15] Baranyi, P.–Galambos, P.–Csapó, Á.–Jalovecki, L.: *Cognitive navigation and manipulation (CogiNav) method*. Patent US 2018/0 032 128 A1, 2018, US Patent App. 15/658,579.

Mérőtér és mérési feladat

A tervezett mérés, egy virtuális városban zajlik, ahol a kisváros központján kívül, egy lakóövezetet és egy üzleti negyedet is bejárhat a résztvevő. A virtuális várost élethű, visszafogott színek jellemzik, sok zöldterülettel. A mérés egy szabadtéri pavilonban kezdődik, ahol a résztvevő megismeri az első feladatot.

2. ábra. A méréshez használt virtuális tér



A pavilonban található okostáblán, különböző tárgyak jelennek meg egymás után, amelyeket a résztvevőnek az előre megadott három kategóriába kell sorolnia, az okostábla mellett elhelyezett három gomb segítségével. Ez a kategorizációs feladat a végrehajtó funkciók közül elsősorban a frissítést és a váltást méri, mivel a feladat során az érkező információkat kell az alanynek dinamikusan monitoroznia és frissíteni a munkamemóriában megtartott elemeket.

3. ábra. Pavilon a MaxWhere virtuális térben

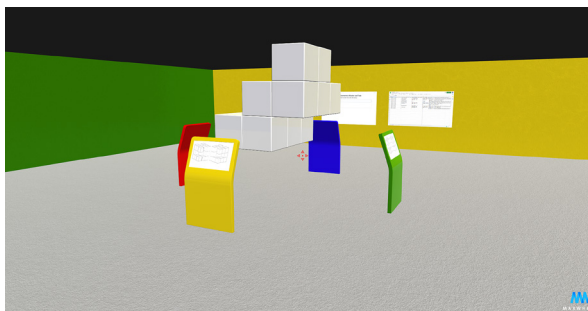


A kategorizációs feladat mellett, két egyedi elem is meghatározásra kerül, amelyek megjelenésekor a résztvevőnek egy-egy speciális feladatot is végre kell hajtania. Az első elem megjelenésekor a résztvevőnek el kell mennie a virtuális tér egy megadott épületéhez, amely egyben egy téri tájékozódási feladat is az alany számára. Az érkezés jelzése után, egy úgynevezett Stroop-feladatot [16] kell megoldania az épületben. Ennél a feladatnál színnevek vannak azonos vagy eltérő színű tintával leírva, és a tinta színének megnevezése a feladat, amely során tovább tart megnevezni a színneveket, ha inkongruens színnel van írva. A Stroop-feladat a kognitív flexibilitást, szelektív figyelmet és a válaszgátlást méri. A Stroop-feladat befejezése után a résztvevő visszamegy a pavilonba, és folytatja a kategorizációs feladatot.

A második egyedi elem megjelenésekor, újra egy megadott épületet kell felkeresnie az alanynak, ahol egy virtuális mentális forgatási feladatot kell elvégeznie [17], melynek alapja a klasszikus mentális forgatás koncepciója. A mentális forgatás egy magasabb szintű folyamat, mint egy látható mozgás észlelése. Az észlelés egy automatikus, a mentális forgatás pedig egy stratégiai folyamat. Tényleges manipuláció esetén a tárgy téri-vizuális reprezentációja folyamatosan változik, ahogy az input folyamatosan frissül. [18]

A virtuális mentális forgatási feladatnak a lényege a tárgyak mentális manipulálása, forgatása a normál orientációjukból valamelyik irányba, majd a helyes megoldás jelölése egy táblában. Ezzel a feladattal ér véget a felmérés.

4. ábra. Virtuális mentális forgatási feladat a MaxWhere virtuális valóságban



[16] Stroop, J. R. (1935): Studies of interference in serial verbal reactions. *Journal of Experimental Psychology* 18. (6.) p. 643.

[17] Csincsák, A. F. (2020): A new VR paradigm to measure mental rotation. In: *Proceedings of the 11th IEEE International Conference on Cognitive Infocommunications (CogInfoCom)*. Baranyi, P. (Ed.) IEEE. Pp. 581–586.

[18] Parsons, T. D.–Larson, P.–Kratz, K.–Thiebaut, M., Bluestein, B.–Buckwalter, J. G.–Rizzo, A. A. (2004): Sex differences in mental rotation and spatial rotation in a virtual environment. *Neuropsychologia*. 42. (4.) Pp. 555–562.

A MaxWhere platformon kialakított virtuális tér célja mindhárom végrehajtott funkció (váltás, gátlás, frissítés) mérése, egy összetett feladat során, melyek alfeladataiban akár külön mérésenként is felhasználhatók. Ez a mérési koncepció jól illeszkedik, a kognitív infokommunikáció tudományterületébe, mivel egy virtuális környezetbe helyezve egyszerre mérhetőek a komplex kognitív képességek.

Köszönetnyilvánítás

A közlemény megjelenését az EFOP-3.6.1-16-2016- 00003 „K+F+I folyamatok hosszú távú megerősítése a Dunaújvárosi Egyetemen” című projekt támogatta.



Innovatív képfeldolgozási eljárások kutatása, tomográfiai mérési eljárások fejlesztése

Összefoglalás: A képfeldolgozás folyamán a képi információ kinyerésére és megbízható értelmezési eljárás kifejlesztésére koncentráltunk. Ehhez először a fazifikált 2D Gábor-szűrőt és annak tulajdonságait kutattuk. A szűrő hatékonyságát a rendszámtáblafelismerési algoritmus tesztelésével bizonyítottuk. A kutatást a cirkuláris Gábor-szűrő paramétereinek fazifikálásával folytattuk. A kutatás célja az volt, hogy lehessen detektálni körhöz hasonló, deformált alakzatokat a képben. A kutatás eredményeit alkalmazni lehet tomográfias képi eredmények értelmezésére, valamint mikroorganizmusok detektálására a mikrobiológiai képekben. A kutatási eredményeket a robotlás fejlesztésében is alkalmaztuk, itt a fő feladatunk az volt, hogy detektáljuk az akadályokat a falon, továbbá a hasznos falfelületet mélységi kamerák, jelfeldolgozás, képfeldolgozás és fuzzylogika alkalmazásával. A mechatronikai/robotrendszerek irányítása zárt körben valósul meg, ahol a szabályozó és állapotbecslő algoritmusok performanciái határozzák meg a megvalósítható dinamikus viselkedést. Egyrészt kifejlesztésre került egy újszerű fuzzy irányítási struktúra, mely a hibajel mellett, a beavatkozájel előállításakor, a pillanatnyi fogyasztást is kiértékeli. A szabályozó az alapjelkövetés mellett az áramtranzieneket és az oszcillációkat is limitálja, így mechatronikai rendszerek irányításában előnyösen használható. Másrészt, kifejlesztésre került egy újszerű adaptív állapotbecslő struktúra, mely a rendszer pillanatnyi dinamikus viselkedésének mérésére új mérési módszereket alkalmaz, és ezen mérőszámok függvényében változtatja a szűrőparamétereket. Az adaptív stratégiának köszönhetően robusztus állapotbecslés biztosítható a felsőbb irányítások számára. A hatlábú roboton végzett mérések alapján különféle kutatásokat végeztünk, melyek során a bizonytalanságokat és a robusztusságot kutattuk. Ezáltal pontosabb és jobb becsléseket tudunk végezni és hatékonyabban tudunk optimális szabályzást fejleszteni a mechatronikai eszközök számára. Különféle

* *Dunaújvárosi Egyetem
Informatikai Intézet
E-mail: burkus@uniduna.hu*

** *Dunaújvárosi Egyetem,
Informatikai Intézet
E-mail: kecskesi@uniduna.hu*

*** *Dunaújvárosi Egyetem,
Informatikai Intézet
E-mail: odry.akos@uniduna.hu*

**** *Dunaújvárosi Egyetem,
Informatikai Intézet
E-mail: tadityv@uniduna.hu*

***** *Dunaújvárosi Egyetem,
Informatikai Intézet
E-mail: odry.peter@uniduna.hu*

változókat és szenzorokat vizsgáltunk, továbbá az IMU-szenzor jeleiből Kálmán-szűrővel kiszámítottuk a robot szögmozgásokat és annak hibáját is elemeztük. Kutatásunk végén az általunk fejlesztett újszerű optimalizálási eljárás felhasználásával alapokat biztosítottunk arra, hogy hexapod-robotunk új generációját, a Szabad(ka) III robotot meg tudjuk tervezni. Az optimalizálás meghatározta a csatlakozási helyzeteket, valamint a test és a láb szegmenseinek méreteit. Az optimalizálás eredményeként jelentősen csökkent a szenzorokat érintő rotációs mozgás és nőtt a robot által, egy feltöltéssel megtehető távolság. Az optimalizálás elvégzésének feltétele volt a robot paraméterezzhető, részletes és validált modellje volt. A fizikai megvalósítás terén eddig legyártásra került a robot legösszetettebb része, a differenciális csuklót tartalmazó moduláris láb egység.

Kulcsszavak: Képi információ kinyerése; értelmezési eljárás kifejlesztése; alakfelismerő szoftverek; mechatronikai/robotrendszerek; Kálmán-szűrő; moduláris láb egység.

Abstract: During the image processing, we focused on the extraction of image information and the development of a reliable interpretation method, for which we first researched the fuzzified 2D Gabor filter and its properties. The efficiency of the filter was tested via license plate recognition algorithm. The research was continued by fuzzifying the parameters of the circular Gabor filter, where the aim of the research was to be able to detect circular-like, deformed shapes in the image. The results of the research can be used to interpret tomographic imaging results as well as to detect microorganisms in microbiological images. The third part of the research is related to robotic vision. The task of this research was to detect obstacles on the wall and to detect the useful wall surface using depth cameras, signal processing, image processing and fuzzy logic. The control of mechatronic/robot systems is realized in closed loop, where the performances of controller and state estimator algorithms determine the feasible dynamic behavior of the system. On one hand, a novel fuzzy control structure was developed, which provides the control action based on both the error signal and instantaneous power consumption. This control solution ensures good reference tracking performance along with limited current transients and oscillations, thereby providing superior performance in the control of mechatronic systems. On the other hand, a novel adaptive state estimator structure was developed. This algorithm employs novel measurement methods for the characterization of the instantaneous system dynamics. Moreover, the algorithm varies its parameters adaptively based on the aforementioned measures. This adaptive approach provides robust performance in closed loop systems.

We performed and completed various researches based on the measurements on the hexapod robot, from which publications were created. Basically, we researched uncertainties and robustness. This allows us to make more accurate and better estimates and more efficiently develop optimal control algorithms for the mechatronic device. Various variables and sensors were examined, and the robot angular movements were calculated from the IMU sensor signals using Kalman filter, and its error was also analyzed. At the end of our research, using the novel optimization procedure we developed, we provided the basis for designing a

new generation of our hexapod robot, Szabad(ka) III. The optimization determined the connection positions and the dimensions of the body and the legs segments. The optimization significantly reduced the rotational motion affecting the sensors and increased the distance the robot could travel on a single charge. To perform the optimization, it was necessary to build the detailed and validated model of the robot which can be parameterized. In terms of physical implementation, the most complex part of the robot, the modular leg assembly with a differential joint, has already been fabricated.

Keywords: Extraction of image information; development of an interpretation procedure; shape recognition software; mechatronic/robotic systems; Kalman-filter; modular leg assembly.

Bevezető

Az EFOP-3.6.1-16-2016-00003 azonosítószámú „K+F+I folyamatok hosszú távú megerősítése a Dunaujvárosi Egyetemen” projekt „Innovatív képfeldolgozási eljárások kutatása; tomográfiai mérési eljárások fejlesztése” című alprogramja eredetileg a mágneses impedancia spektrális tomográfiai kutatásának továbbfejlesztéseként indult, fő feladatként az új képfeldolgozási eljárás volt kitűzve célként. A képfeldolgozás célja a tomográfias eljárás képi megjelenítésének minősége. Az alprojekt előzményeként meg kell említeni, hogy a TÁMOP-4.2.2.A-11/1/KONV-2012-0027, „Nagy teljesítőképességű szerkezeti anyagok kutatása” projektben II/B: „Ferromágneses anyagok öregedésének vizsgálata változó frekvenciájú mágneses gerjesztések segítségével” c. kutatási alprogram eredményeként kifejlesztettünk egy új tomográfiai eljárást, amit MIST-nek (Mágneses Impedancia Spektrális Tomográfiának) neveztünk el, melyhez egy működő „famodell” készítettünk. A kutatás eredményeként magyar szabadalmat is szereztünk (P1600165 szám alatt, a következő címmel: „Spektrális mágneses impedancia-tomográfia mágneses anyagszerkezetek roncsolásmentes mélységi vizsgálatára”).

A kutatás folyamán a képfeldolgozási eljárás kifejlesztése, illetve az eredmények biztosítása, validálása irányában indultunk el. Arra számítottunk, hogy a kutatáshoz – más pályázati forrásból – új tomográfot is létrehozhatunk, de pénzügyi forráshoz, ezúttal, nem jutottunk. Így a kutatási célok nem változtattunk, csak az eszközt változtattuk meg egy hatlábú járórobotra.

A kutatás eredményeit prezentálva három nagyobb eredményt tudunk felmutatni, melyeket kiemelkedő nemzetközi szaklapokban publikáltunk. A 2. fejezet a képfeldolgozás területén elért eredményekkel foglalkozik, a 3. fejezetben a zárt szabályozási körök tökéletesítését végeztük lágy számítási módszerekkel, míg a 4. fejezetben a nemlineáris robotmodell felhasználását szenzorkalibrációra és robusztus szabályzásoptimalizációra mutatjuk be. Az 5. fejezetben a Szabad(ka) III robot mechanikai szerkezetének validációjával és szerkezeti optimalizációjával foglalkozunk.

A képfeldolgozás kutatása

KÉPI SZŰRŐ FUZZIFIKÁLÁSÁNAK KUTATÁSA

A képfeldolgozás folyamán a képi információ kinyerésére és a megbízható értelmezési eljárás kifejlesztésére koncentráltunk, melynek során először a fazifikált 2D Gábor-szűrőt és annak tulajdonságait kutattuk. A szűrő hatékonyságát a rendszámtábla-felismerési algoritmus tesztelésével bizonyítottuk. A javasolt rendszámtábla-detektálási és -kivágási algoritmus a fazifikált kétdimenziós Gábor-szűrőn alapszik. Az így modifikált szűrő hozzájárul a könnyebb és megbízhatóbb rendszámtábla-detekcióhoz és -kivágáshoz a járművek összetett háttérű képeiből. A kifejlesztett eljárás – kisebb átalakításokkal – más, olyan alkalmazásokban is felhasználható, melyek magukban foglalnak alakzatdetekciót, kivágást és felismerést az összetett tartalmú képekből. A Gábor-szűrővel való szűrést a fuzzy-logika szemszögéből közelítettük meg, ami nem más, mint az emberi érveléshez közeli hatékony matematikai elmélet. A Gábor-szűrő szögeit (orientációit) és hullámhosszait – a szűrő válaszána feljavítása céljából – a fuzzy-logika felhasználásával fazifikáltuk. A fejlesztés során arra a következtetésre jutottunk, hogy a Gábor-szűrő fazifikációjában a Bell- és a háromszögtípusú tagsági függvények alkalmazása adja a legjobb szűrési eredményeket. A fazifikált Gábor-szűrő alkalmazása kielégítő eredményeket adott a hatékony detekcióval és rendszámtábla-kivágással együtt, valamint nagyfokú ellenállóságot eredményezett a zajokkal szemben. Az algoritmust különböző kép-adatbázisokon teszteltük, melyekben a járművek különböző körülmények között és különböző környezetben jelentkeznek. A kísérletek célja az algoritmus hatékonyságának a felbecsülése volt olyan képek esetében, amelyek szerény képességű és szerény minőségű fényképezőgépekkel készültek. A kísérletekben használt képek bizonyos feltételek összességét teljesítik, melyek az algoritmus fejlesztése során határoztunk meg.

Az algoritmus a következő korlátozásokat szabja meg: a járművet előlről vagy hátulról kell fényképezni bármely oldalról egy meghatározott szög alatt; a jármű méreteinek a képben meghatározott méretek között kell lenni. Az általunk készített képadatbázisból a felsorolt feltételeket 718 kép elégíti ki. Ezenkívül más, nyilvánosan hozzáférhető adatbázisokat is teszteltük. Ebben a kutatási projektben kereskedelmi fényképezőgépekkel készített képeket használtuk fel. Az így rögzített képeknek számos hiányosságuk van, mint pl. az árnyék, a fényvisszaverődés és a zaj. A cél egy olyan ellenálló algoritmus kifejlesztése, mely a szerény minőségű kamerákkal készített, lényegesen gyengébb minőségű képeket hatékonyan dolgozza fel. A javasolt eljárás gazdaságosabb kamerák alkalmazását teszi lehetővé a rendszámtábla detekciójának folyamatában. A fazifikált Gábor-szűrőn alapuló algoritmus – a feltételezett körülmények enyhe deviációja mellett – a kívánt elemeket hatékonyan emeli ki az összetett képekből.

A bemutatott fazi-érvelés engedélyezi a szűrő paramétereinek rugalmas beállítását az adott probléma különleges körülményeihez. A következő kutatásokban a figyelem központjában olyan eljárások kidolgozása

lesz, amelyek a járművek szögének detekcióját és annak kijavítását végzik, mert a túlságos szögeltérés dominánsan kihat a rendszám táblák detekciójára.

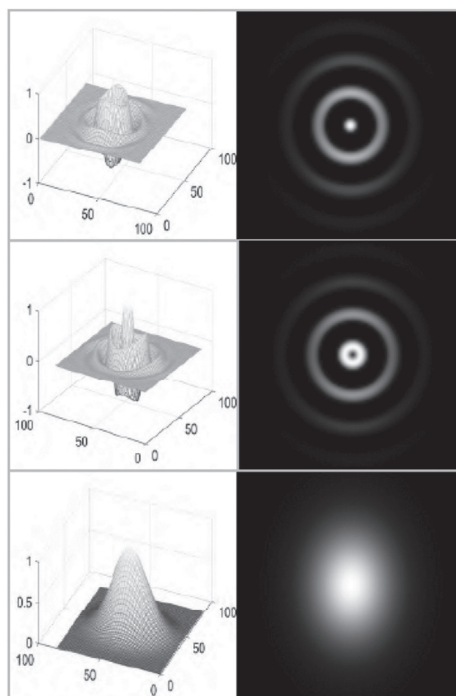
A folytatásban a fuzzy Gábor-szűrő és a Gábor-szűrőbank hatásait hasonlítottuk össze. A kutatás tesztelését ismét a rendszám táblák detektálásán végeztük. Bizonyítottuk továbbá, hogy a fazifikált szűrő jobban érzékeli a bemeneti képben a deformált rendszám táblákat. Továbbá bizonyítottuk, hogy a fazifikált Gábor-szűrő a robusztussága miatt más alakfelismerési problémákban való alkalmazásra is alkalmas.

1. ábra. A Gábor-szűrőbank és a fuzzy Gábor-szűrő eredményei



A kutatás következő lépése egy olyan hatékony és robusztus szűrő fazifikálásának a kutatása volt, amely alkalmas a tomográfiára jellemző alakok és a mikroorganizmusok detektálására egy összetett képben. A kutatás során egy igen keveset ismert és alkalmazott szűrővel foglalkoztunk, a cirkuláris Gábor-szűrővel. Ugyanis, ez a cirkuláris Gábor-szűrő alapvető esetben a kör formájú alakzatokat detektálja, de a fazifikálás során bebizonyosodott, hogy a szűrő a fazifikált paramétereknek köszönhetően képes detektálni a deformált, körhöz hasonló alakzatokat is. Ezzel bizonyítottuk, hogy a cirkuláris Gábor-szűrő alaptalanul van elhanyagolva a kutatásokban. Bizonyítottuk továbbá, hogy a fuzzy-logika által alkalmazott mesterségesintelligencia-módszerek igen hatékonyak többfajta tudományban is. A kísérletek során külön hangsúlyt fektettünk a mikrobiológiai eredetű képekre, mert a kutatás célja az, hogy a mikroorganizmusokat – későbbi szegmentációjuk és felismerésük céljából – minél jobban detektáljuk.

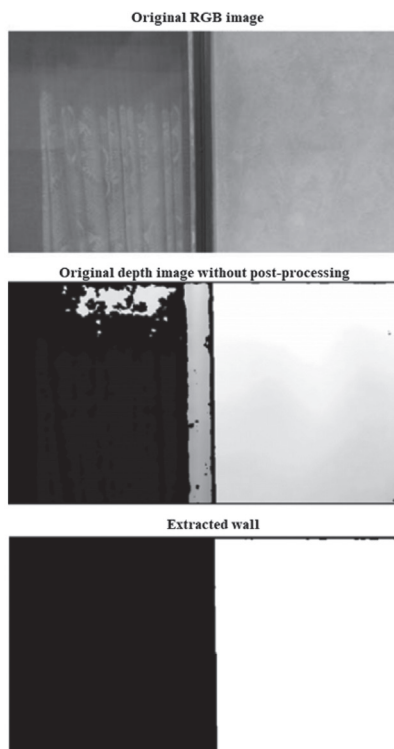
2. ábra. A fuzzy-cirkuláris Gábor-szűrő jellege



A kutatási feladat harmadik része az ipari robotok látásrendszerével kapcsolatos. A projekt feladata a festőrobot képfeldolgozó rendszerének kutatása, fejlesztése és tesztelése volt. A projekt célja szétválasztani a fal felületét az ablak felületétől a fal festése céljából. A projekt egyik alapvető feladata volt kikutatni a mélységi kamerák képességeit és lehetőségeit a robot látásrendszerének kialakításához. Manapság a korszerű robotok látásrendszerének alapja a mélységi kamera, amely a sztereometriai törvényszerűségek alapján működik. A mélységi kameráknak köszönhetően lehetőség van a képen az objektumokat szegmentálni és felismerni nemcsak a tartalom alapján, hanem az objektumok kamerától számított távolsága alapján is. A mélységi kamerák a képelőállítás a képérzékelőtől számított távolság alapján hozzák létre. Intel RealSense D415 és D435 kamerákat alkalmaztunk, melyek ár-minőség szempontjából elfogadható tulajdonságokkal rendelkeznek.

A képfeldolgozási algoritmus alapját ebben az esetben is a fuzzy-logika képezte. Ennek oka az, hogy a mélységi kamera által rögzített mélységi képek gyakran homályosak a különféle zajok, árnyékok, napsugár stb. miatt. A fuzzy-logikával kialakított kontrasztjavító algoritmus hatékonyan küszöböli ki az említett hibákat a képben, melynek köszönhetően a képszegmentáció sikeresen elvégezhető. A fuzzykontraszt-javító műveletet megelőzi egy éljavító művelet is, amely az exponenciális mozgó-átlagoló (EMA) szűrőn alapszik. E szűrő feladata a zajos képekben feljavítani a zajos, elmosódott éleket.

3. ábra. A fal detektálás eredménye

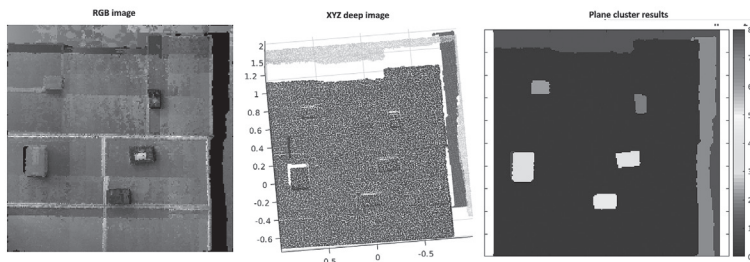


ROBOT 3D-LÁTÁSÁT SEGÍTŐ KLASZTERIZÁCIÓS ALGORITMUS FEJLESZTÉSE

A robot 3D-látását segítő klaszteros algoritmusról részletesebb specifikációs dokumentációt készítettünk. Ez az algoritmus képes a RealSense mélységi kamera adataiból hatékonyan felismerni a térbeli síkokat és akadályokat. Az XYZ-tér adatok és az RGB-színadatok összefűzését, illetve a különböző klaszter- és statisztikai szűrők alkalmazási lehetőségeit tanulmányoztuk. A zajos pontokat a kiugró (outlier) szűrővel érdemes eltávolítani, majd a RANSAC-módszerrel sík felületeket lehet kiválasztani a kamera adataiból.

Az algoritmus az XYZ-tér pontadatait először megszüri statisztikai szűrővel, amely eltávolítja a kívülálló pontokat, és a felhőben síkokat próbál illeszteni ciklikusan, ezzel ismerve fel a nagyobb síkfelületeket. Ezután történik az átalakítás egy 2D-térképpé, melyet a felhasználó látni fog. A 2D-térképen különböző javításokat lehet elvégezni, mint pl. a nem érintkező területek szétválasztása vagy a magányos, illetve hiányzó pixelek kicserélése. Végül, az algoritmus (számokkal) sorrendbe állítja a felismert felületeket, a legyobbtól a legkisebbig. Ennek példája látható a következő ábrán.

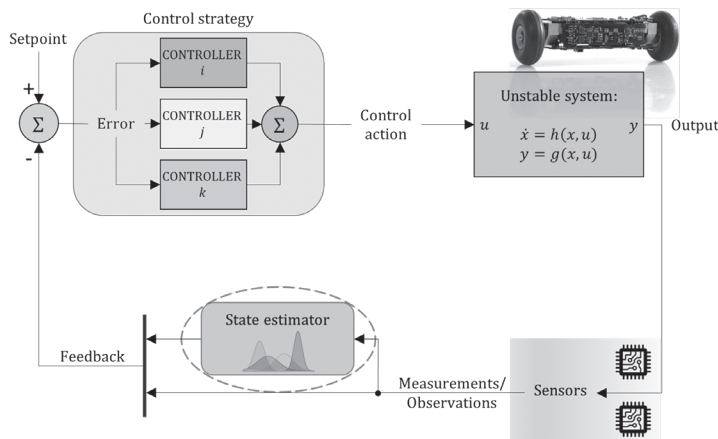
4. ábra. A kép mélységi klaszterizációjának az eredményei



Zárt szabályozási körök tökéletesítése lágy számítási módszerekkel

Mechatronikai rendszerek állapotait rendszerint pozíció- és sebesség-koordinátákkal, valamint áramértékekkel és csuklónyomatékokkal adják meg. A rendszer térbeli mozgása során az ún. pályatervező algoritmus felel azért, hogy előírja azokat a kívánt állapotértékeket, melyek megvalósítása esetén a komplex mechatronikai rendszer az előírt pályán (trajektórián) mozog és a célba ér. A kívánt rendszerállapotok biztosítása valós időben működő szabályozó algoritmusok alkalmazásával valósul meg a zárt irányítási körben (5. ábra).

5. ábra. Valós időben működő szabályzó zárt irányítási kör



Ezen szabályzó algoritmusok feladata a mindenkor beavatkozó jel előállítása a kívánt állapotértékek és pillanatnyi rendszerállapotok alapján úgy, hogy a rendszer a kívánt állapotok környezetébe konvergáljon vagy azok környezetében maradjon. A szabályzó algoritmust úgy kell megtervezni, hogy az effektív módon biztosítsa ezen követelményeket, ugyanakkor energiahatékony beavatkozást szolgáltatson a rendszernek és robusztus módon kezelje a paraméter-bizonytalanságokat és mérési zavarokat. A zárt irányítási kör másik kulcsfontosságú eleme az állapotbecslő algoritmus, mely a rendszer kimenetét mérő érzékelő jelek alapján ad becslést a mechatronikai rendszer állapotaira (állapotvektorra). Mivel a korábbiakban említett szabályzó-algoritmus ezen értékeket felhasználva állítja elő a releváns beavatkozást, ezért a precíz és pontos becslés, valamint a gyors becslési-konvergencia, mint követelmények képezik az alapvető elvárásokat az állapotbecslővel szemben.

A kutatási munka az előbbieken ismertetett algoritmusok tökéletesítésére összpontosult. Egyrészt olyan szabályzó-algoritmusok kerültek kifejlesztésre, melyek – mint konvencionális megoldások – azonos alapjelkövetési performancia mellett energiahatékonyabb irányítást biztosítanak. Másrészt, olyan állapotbecslő algoritmusok kerültek definiálásra, melyek azonos dinamikus viselkedések mellett, robusztusabb és megbízhatóbb állapotértékeket biztosítanak a felsőbb irányítások számára, mint a konvencionális megoldások. Az új algoritmusok kifejlesztése lágy számítási módszerek alkalmazásával valósult meg. Nevezetesen, a rendszerdinamikára vonatkozó megfigyeléseket és mérési követelményeket fuzzy-logika segítségével implementáltuk a kifejlesztett algoritmusokban.

A paraméterhalmazok finomhangolása az evolúciós algoritmusokon alapuló optimalizációs folyamatok alkalmazásán keresztül a tökéletesített performanciák definiálását eredményezte.

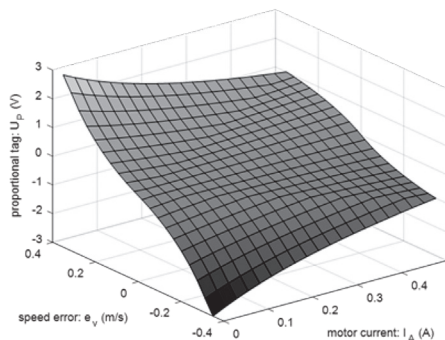
Energiahatékony fuzzy-logikai-szabályozók

Konvencionális szabályozó algoritmusoknál a bemenő jelet az előírt és megvalósított állapotok közötti különbség (hibajel) képezi. Ez a hibajel a mechatronikai rendszer mozgására vonatkozó alapjel követése esetén alapvetően a rendszer-kinematikát (pl. csuklópozíció-hiba vagy csuklósebesség-hiba) jellemzi. A stabilizáló beavatkozó jel számítása történhet önmagában ezen hibajel felhasználásával, viszont ekkor a dinamikára vonatkozó jellemzők, mint pl. az áramtranziensek, nyomatékok és vibrációk, nem felügyelhetők és szabályozhatók, vagy azok szabályozása további algoritmusok implementációját igényli. A fuzzy-logika lehetővé teszi a megfigyelésekre és következtetésekre vonatkozó mérőszámok alkalmazását a standard hibajel mellett. Ugyanakkor, az intelligens szabályozó-algoritmus a lingvisztikai változók definiálásán keresztül, általános HA-AKKOR nyelvi szabályok segítségével implementálható. Ennek köszönhetően, az alapjel követése mellett – egy és ugyanazon algoritmus alkalmazásával – a rendszer dinamikájára vonatkozó jellemzők is szabályozhatóak.

Ha az algoritmus bemenetét a pillanatnyi hibajel és a motoráram alkotja, akkor az egy előnyös fuzzy-szabályozó struktúrát eredményez, hiszen a motoráram egyértelműen jellemzi a fogyasztást, a nyomatékértékeket, a jelentkező vibrációkat és az oszcillációkat. A fuzzy-logikai szabályozóban a szabálybázis megalkotásának alapja az volt, hogy a nagyobb áramértékek mintavételezésekor csökkentett beavatkozó jel kerüljön előállításra.

Ennek a következtetési mechanizmusnak az implementációjával az irányítást csökkentett áramtranziensek jellemzik, melynek további következménye, hogy a jelentkező oszcillációk és vibrációk mértéke is csökkenni fog az irányításban. Az így létrehozott fuzzy-következtetési rendszer – kompetens alapjelkövetési performancia mellett – olyan dinamikus viselkedést biztosít, amely jobban kíméli a mechatronikai rendszerek elektromechanikai szerkezetét, mint a konvencionális (lineáris irányításokon alapuló) megoldások. Ezt a kímélő mechanizmust jól szemlélteti az 6. ábrán látható fuzzy-felület, ahol megfigyelhető, hogy a hibajel és az éles beavatkozás (kimenet) között egy nemlineáris kapcsolatot definiáltunk a motoráramok függvényében. Ez a nemlineáris fuzzy-szabályozó segítette elő az áramtranziensek és a vibrációk csökkentését az irányításban.

6. ábra. A nemlineáris fuzzy-szabályozó-felület

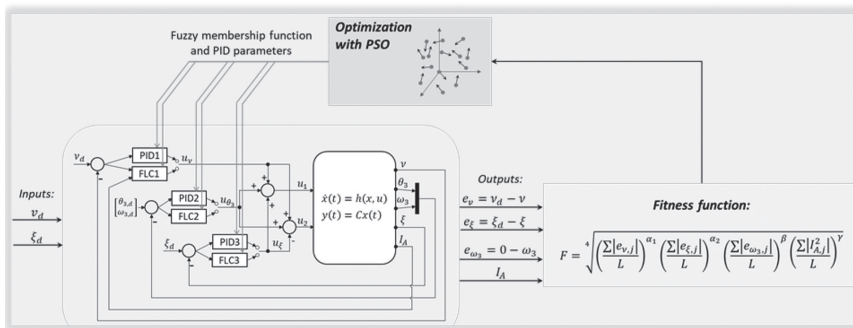


Az fentiekben definiált nemlineáris szabályozó-algoritmus performanciája tovább tökéletesíthető optimalizációval. Ennek során a cél a szabályozó-paraméterek finomhangolása, melyek segítségével az irányítási minőség maximalizálható. A feladat kidolgozása egy átfogó, többcélú költségfüggvény definiálását igényli. Az irányítás minősége négy abszolút eltérés kombinációjaként kialakított mérőszámmal (performancia-index) mérhető. Az alábbi képlet alkalmazásával a következő preferenciák minősíthetők: az előírt mozgástól való eltérések (e_v és e_ξ), a mechatronikai rendszer irányítása során jelentkező oszcillációk és vibrációk mértéke (e_{ω_3}), valamint az irányításban keletkező átlagos motoráramok (I_A).

$$F = \sqrt[4]{\left(\frac{\sum |e_{v,j}|}{L}\right)^{\alpha_1} \left(\frac{\sum |e_{\xi,j}|}{L}\right)^{\alpha_2} \left(\frac{\sum |e_{\omega_3,j}|}{L}\right)^{\beta} \left(\frac{\sum |I_{A,j}|^2}{L}\right)^{\gamma}}$$

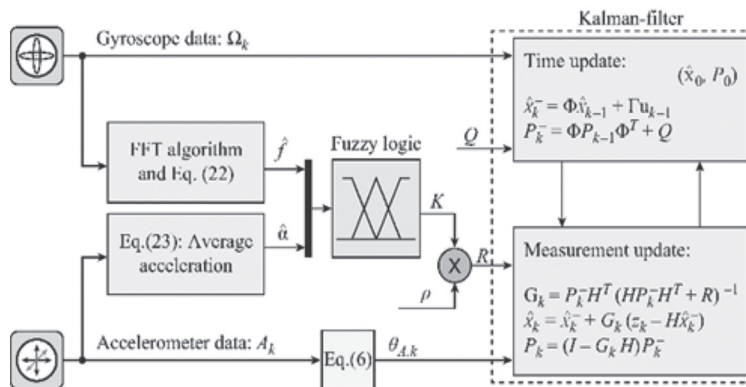
A fenti képletben az α_1 , α_2 , β és γ -változók az egyes preferenciák jelentőségét (súlyát) jellemzik a fenti képletben. A paraméterek finomhangolása a részecskekeraj-algoritmus alkalmazásával valósult meg. Ez egy effektív heurisztikus algoritmus, mely hatékony kereső-performanciával rendelkezik nagy paraméterterekben is, és jól kezeli a szakaszos és zajos méréseket. Az algoritmus a fenti mérőszámot (F), mint az irányítás minőségére vonatkozó fitnessz-függvényt, flexibilisen illeszti a részecske-propagációk megválasztásához a paraméterek terében. A kialakított optimalizációs környezet a zárt körben működtetett mechatronikai rendszerre fekete dobozként tekintett; a fitnessz-függvényt kiértékeli minden iterációban a rendszer dedikált kimeneteit felhasználva; végül a részecskekeraj-algoritmus finoman hangolja a performanciát befolyásoló szabályozó paramétereket a mérőszám (F) minimalizálásán keresztül.

7. ábra. Szabályozó paraméterek optimalizációja



Ezzel a finomhangolási folyamattal egy olyan fuzzy-szabályozó-struktúra került definiálásra, amely előnyösen alkalmazható olyan mechatronikai rendszereknél, ahol az alapjelkövetés mellett a vibráció- és oszcillációmentes, valamint energiahatékony irányítás is fontos szabályozási követelmény (7. ábra).

8. ábra. A kifejlesztett finomhangolási folyamattal rendelkező fuzzy-szabályozó-struktúra



ROBUSTUS ÁLLAPOTBECSLŐ ALGORITMUSOK

Az állapotbecslő feladata a valós rendszerállapotok becslése a rendszer kimenetére vonatkozó érzékelőadatok (mérések) alapján. Mivel a mechatronikai rendszer irányítása alatt a rendszerállapotok folyamatosan változnak, ezért az állapotbecslő algoritmusnak (a pontos becslés mellett) gyors konvergenciával kell rendelkeznie. Ugyanakkor, a rendszer irányítása dinamikus környezetben valósul meg, ahol különböző irányú és intenzitású parazita-gyorsulások és vibrációk jelentkeznek. Ezek a dinamikus hatások mérési zajként jelentkeznek az állapotbecslésben és jelentősen befolyásolják az állapotbecslő performanciáját, ezért az algoritmus robusztusságára külön ügyelni kell.

A standard megoldás a sztochasztikus rendszerek állapotbecslésére a Kálmán-szűrő. Az algoritmus az érzékelő adatok által definiált sztochasztikus állapotegyenlet alapján optimális becslést ad minimális variációval (P) az állapotvektorra. A szűrő definíciója a következő képlettel adható meg, ahol x , u és z rendre az állapotvektort, bemenővektort és megfigyelésvektort jelöli, Φ , Γ és H a leképezéseket valósítja meg, míg w és v rendre a folyamat- és megfigyelés-zajokat jelöli.

$$x_{k+1} = \Phi x_k + \Gamma u_k + w_k, \quad z_k = H x_k + v_k$$

$$R = E[v_k v_k^T], \quad Q = E[w_k w_k^T]$$

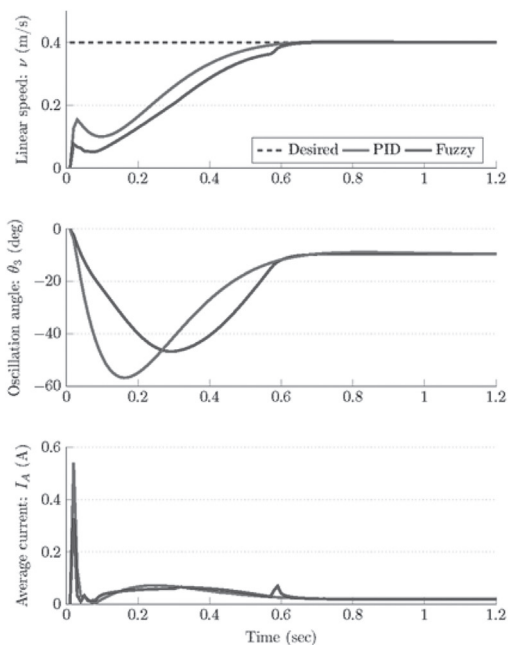
$$E[x_k - \hat{x}_k] = 0, \quad E[(x_k - \hat{x}_k)(x_k - \hat{x}_k)^T] = P_k \rightarrow \inf$$

Az állapotbecslés performanciáját (azaz a becslési hiba $e_k = x_k - \hat{x}_k$ mértékét) a sztochasztikus rendszer jellemző Q és R kovariancia-mátrixok határozzák meg. Amennyiben a fentiekben definiált modellt nem befolyásolják a dinamikus hatások, akkor ezek a szűrő-paraméterek direkt mérésekkel vagy optimalizációs folyamatban finomhangolhatók, és az így beállított állapotbecslő megbízható és pontos eredményeket szolgáltat. Azonban, valós alkalmazásokban, a dinamikus viselkedést nem determinisztikus folyamatok jellemzik, így a keletkező hatások sem modellezhetők a fenti állapotterez leírással. Ennek eredményeként a standard megoldás jelentős bizonytalansággal ad becslést az állapotvektorra külső zavarások esetén.

A fenti probléma robusztusan kezelhető adaptív stratégiákkal. Nevezetesen, olyan szűrőstruktúrát definiáltunk, mely a pillanatnyi rendszerdinamikát mérőszámokkal jellemzi és a mérőszámok függvényében változtatja a szűrő-performanciát befolyásoló kovariancia-mátrixokat. A kifejlesztett valós idejű mérési módszerek egyike a pillanatnyi oszcillációk mértékét határozza meg gyors Fourier-transzformáció segítségével. A másik kifejlesztett mérési módszer a pillanatnyi parazita-gyorsulásokat méri a nehézségi gyorsulásvektor felhasználásán keresztül.

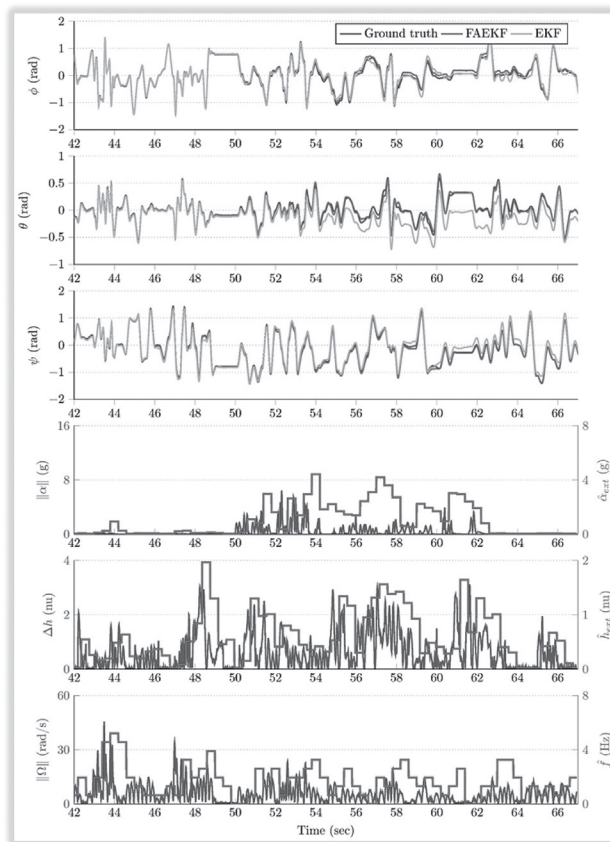
A dinamikára vonatkozó mérőszámok és a szűrőparaméterek közötti kapcsolatot fuzzy-logika alkalmazásával definiáltuk. Ez a módszer lehetővé tette a heurisztikus megfigyelések és következtetések lingvisztikai változókkal és nyelvi szabályokkal történő jellemzését.

9. ábra. A kifejlesztett adaptív szűrő-struktúra kiértékelt eredményei



A kifejlesztett adaptív szűrő-struktúrát (8. ábra) több különböző mérésben került értékeltek. A vizsgálat azt eredményezte, hogy az állapotbecslő algoritmus robusztusabb és megbízhatóbb állapotbecslési performanciát biztosít a felsőbb irányítások számára, mint a standard megoldások. Ezek az előnyös jellemzők az adaptív stratégiával kiegészített szűrőstruktúra flexibilitásának köszönhetőek, hiszen a szűrőparaméterek megválasztása valós időben történik az érzékelő adatok legelőnyösebb fúzióján keresztül, a pillanatnyi dinamikus viselkedés függvényében.

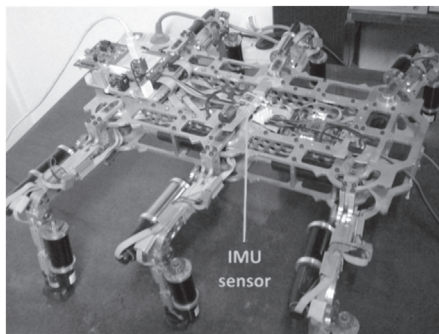
10. ábra. *Eredmény-jel kinyerése konkrét példán*



Nemlineáris robotmodell felhasználása szenzor-kalibrációra és robusztusszabályozás-optimalizációra

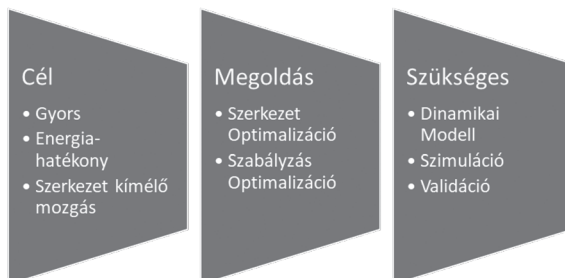
A 18 szabadságfokú Szabad(ka)-II hexapod-robot erősen nemlineáris mechatronikai rendszer, mely hitelesített elektrodinamikai és kinematikai szimulációs modellel rendelkezik. A szimulációs modell segítségével fejlesztettük és optimalizáltuk a robot lábpályagörbéjét és 12V-os DC-motor szabályóját. Ezek a paraméterek beágyazhatók a robotba, ezáltal biztosítva van, hogy a robotban ugyanaz a lábpályagörbe és motorszabályzó fusson, mint a szimulációs modellben is. Többcélú és többszenáriós optimalizációs eljárásokat fejlesztettünk a komplex minőségmérési függvények megoldására annak érdekében, hogy minél robusztusabbak legyenek a megoldások az ismeretlen helyzetekre.

11. ábra. IMU-szenzor pozícionálása



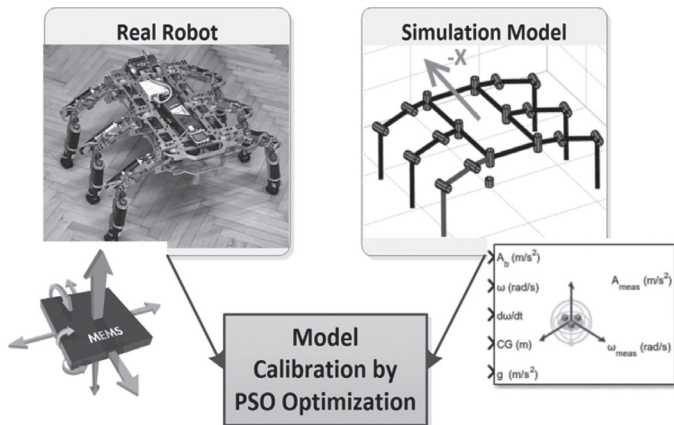
A roboton lévő MEMS-alapú inerciamérő-egység (IMU), vagyis a szenzor elsődleges célja, hogy segítse a robot navigálását és járását ismeretlen talajon és környezetben. Másodlagos célja a robot testkinematikájának követése, amit a szimulációs modell kalibrálására lehet kihasználni. A szenzor statikus vagy „offline” kalibrációja során feltételezzük, hogy a 3D-gyorsulásmérő és 3D-giroszkóp konstans hibái az ofszet-, a skála- és a tengelyirány-hibák. A kalibráció célja, hogy minél pontosabb szimulációs modellt kapjunk, hogy jól megbecsüljük az IMU-szenzor hibaparamétereit és ezáltal annak jeleit minél nagyobb precizitással felhasználni és értelmezni tudjuk.

12. ábra. A projekt céljainak szemléltetése



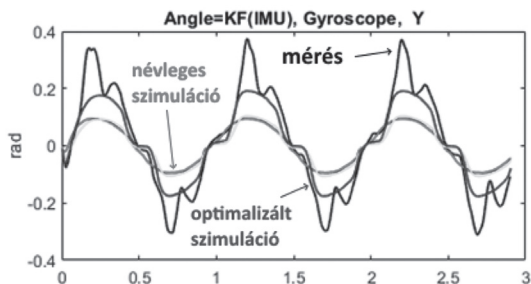
A roboton különböző kalibrációs mozgásokat végeztünk, melyek során – a többi szenzor és mérési paraméterrel együtt – az IMU-szenzorok méréseit is rögzítettük. A robot szimulációs modellje szintén magában foglalja ezen szenzorok modelljeit, ezáltal a szimulációs eredményeket kalibrálni tudtuk a mérési eredményekkel. A robotmodell és az IMU-szenzor ismeretlen, illetve becsült paramétereit úgy optimalizáltuk, hogy a szimulációs eredmények a leghasonlóbbak legyenek a mérési eredményekhez. A különbségeket statisztikailag és spektrálisan is kielemeztük.

13. ábra. Model kalibrálása PSO optimalizációs eljárással



A szenzorfüziós eljárások közül a kibővített Kálmán-szűrő a legelterjedtebb megoldás arra, hogy az IMU-szenzor jeleiből felbecsüljük a robot-test 3D-elfordulását. Ezzel a módszerrel a szimulációban és a valós méréseken is kiszámítottuk a robot szögmozgásait, majd elemeztük annak hibáit.

14. ábra. Mérési adatok



Miután a robotmodell ismeretlen és bizonytalan paramétereit optimalizálási módszerrel illesztettük a valós mérésekhez, a hiba lényegesen (átlagban 10%-kal) kisebb lett. Az IMU-szenzor modelljének paramétereit második körben illesztettük a valós mérésekhez és ez további javulást hozott, a hibák átlagban még további 1%-kal csökkentek. Az IMU-szenzor paramétereinek állítása valójában a gyorsulásmérő és a giroszkóp méréseire volt kihatással, ahol lényeges javulás tapasztalható, különösen a gyorsulásmérő esetén (35% javulás) (14. ábra).

Mivel a gyorsulásmérőhöz képest a giroszkóp sebességet mér, ami a gyorsulást integrálja, ezért várható volt, hogy a nagyobb zajok és különbségek a gyorsulás esetében jönnek elő, magasabb frekvenciartományban is. Ennek ellenére, korábbi kutatási eredményeinkre hagyatkozva, a nem zajszerű különbségeket is értelmezni tudjuk.

TÖBBCÉLÚ MINŐSÉGMEGHATÁROZÁS ÉS OPTIMALIZÁCIÓ ROBOTIKAI RENDSZEREKNÉL

A sok-szabadságfokos, illetve komplexebb mobilrobotok tervezése és szabályozása csúcstechnológiákra épül. Az energiahatékony és szerkezetkímélő mozgás kulcsfontosságú, hiszen az befolyásolja a teljesítményt, a szükséges alkatrészek minőségét és az árat is. Ezért a modellezés- és a szabályzás-optimalizáció alapvető eszköz az ilyen robotikai rendszerek fejlesztésénél. Optimalizáció esetén a minőség meghatározása lényegében a kapott eredményt is meghatározza. A minőség általában többcélú: ügyesebb vagy

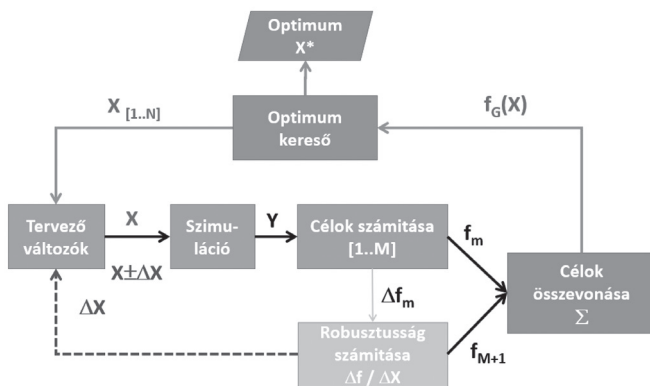
gyorsabb mozgás, kisebb energiafelhasználás, adaptív képesség, robusztusság stb. Ennek vizsgálata és meghatározása – az optimalizáció tervezésének részeként – különösen fontos. A különböző célok megfogalmazása, azok mérhetősége, matematikai kifejezése és végül a célok összevonása, azaz az egymáshoz képesti fontossága beletartozik ebbe a feladatkörbe. Az összevonáshoz hasznfüggvényt alkalmaznak, melynek célja, hogy egy jó megoldást adjon, szemben a Pareto-halmazzal. Úgy a számtani, mint a mértani súlyozott átlagolásnak megvan az előnye és hátránya. Általában különböző mértékegységű célokat kell összevonni, így vagy normalizációval kell számítani, illetve – anélkül – mértani átlagot célszerű számolni. A robusztusságot, mint egy célt, be lehet vonni a többcélú minőségszámításba, vagy olyan hasznfüggvényt kell meghatározunk, amely eleve robusztus megoldáshoz vezet.

Ezt az elméletet a gyakorlatban két roboton is vizsgáltuk, és a robusztusságot igazoltuk – a kerekes robot dinamikai és kinematikai szimulációs modelljén végzett számításokkal; – a validált hexapod-járórobot szimulációs modelljén végzett számításokkal.

A HEXAPOD-ROBOT MOZGÁSÁNAK ÉS MÉRÉSÉNEK BIZONYTALANSÁGAI

A szimuláció és a valóság közötti különbség pontatlanságot és bizonytalanságot okoz. Korábbi kutatásaink számszerűen is bemutatták ezeket a pontatlanságokat, és rámutattak a Szabad(ka) II hexapod-robot néhány szerkezeti hiányosságára. A bizonytalanságok a szimulációs modell és a valós értékek segítségével definiálhatók és ebből becsülhető fel a robot szimuláció-modelljének pontossága.

15. ábra. A robusztusság paraméterszámítása



A robot bármilyen mozgásának és szerkezeti minőségének optimalizálása előtt meg kell becsülni a mérési hibákat és bizonytalanságokat. Szükség van továbbá az elvárt minőségi optimum meghatározására, valamint a szimulációs eredmények és hiányosságok helyes értelmezésére.

A bizonytalansági változókat három csoportba lehet sorolni egy optimalizálási problémában: fizikai, tervezési és scenárió-(forgatókönyv-)bizonytalanságok. A fizikai bizonytalanságok a modell azon részeiben jelentkeznek, ahol a modell becsült vagy közelítő megoldásokat alkalmaz. A scenárió bizonytalanságai a scenárió paramétereikhez kapcsolódnak, elsősorban a többscenáriós szimulációkban, a tervezési bizonytalanságokat az optimalizált tervezési változók hordozzák.

A Szabad(ka) II roboton végzett szekvenciális és párhuzamos mérések kisebb-nagyobb bizonytalanságot mutattak a bal és a jobb oldal, az első és a hátsó lábak, az áram- és feszültségérzékelők között, valamint ugyanazon járási scenáriók megismétlése között. Az ugyanazon scenáriók szerint megfigyelt különbségeket összehasonlítottuk a különböző forgatókönyvek közötti különbségekkel, ezáltal kifejezhető a relatív hiba.

A többi mérési pont mellett a 6 tengelyes gyorsulásmérő jeleit is elemeztük mind időbeli, mind frekvenciatartományban, majd kiszámítottuk a bizonytalansági statisztikákat.

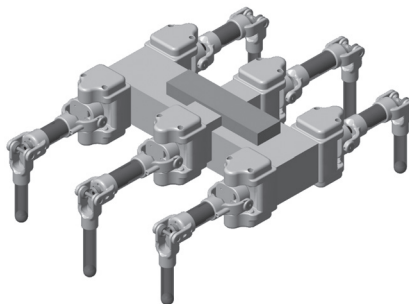
A Szabad(ka) III mechanikai validációja és szerkezeti optimalizációja

A mobil robotok kutatása folyamatosan bővülő tudományterület, melynek potenciálja egyre inkább növekszik. Ennek megfelelően a kutatók egyre nagyobb érdeklődést mutatnak a különféle mobil eszközök fejlesztése iránt. A mobil robotok esetén legtöbbször kerekes vagy mászó-járó robotokról (CLAWAR) szokás beszélni. Ezek közül a második kategóriába tartozó, lábakkal ellátott robotok mechanikai összetettsége és vezérlése sokkal bonyolultabb. Cserébe viszont a felhasználásukban sokkal több lehetőség van, mivel sokoldalúbb járásuknak köszönhetően jelentősen magasabb és összetettebb akadályokat is leküzdhetnek. A Szabad(ka) hexapod járó robotokkal kapcsolatos kutatás és fejlesztés célja létrehozni egy hatlábú járó robotot, mely optimális test és lábszerkezettel rendelkezik.

Az itt bemutatott kutatásban a Szabad(ka) II robot modelljének mechanikai validálását és a Szabad(ka) III robot (16. ábra) szerkezeti optimalizálását ismertetjük.

Az optimalizálás elvégzéséhez a robot szimulációs környezete (parametrizálható modell). A szimuláció használatának előnye, hogy a szerkezeti optimalizálás elvégezhető a gyártás előtt, illetve, hogy a járásalgoritmusok tesztjei is párhuzamosítva és gyorsan futtathatóak, a valós robot használata nélkül. Az optimalizálás a PSO (Particle Swarm Optimization) segítségével valósult meg.

16. ábra. Szabad(ka) III. optimalizált modell



VALIDÁCIÓS ELJÁRÁS A CSUKLÓSÚRLÓDÁS, A REDUKTOR-ÖNTARTÁS ÉS A FOGASKERÉK-KOTTYANÁS AZONOSÍTÁSÁRA

Kutatásunkban egy új módszert dolgoztunk ki a csuklósúrlódás, a reduktor-öntartás és a fogaskerék-kottyanás paramétereinek azonosítására. A módszert egy meglévő hexapod robot (Szabad(ka) II) felhasználásával fejlesztettük. A folyamat során megfigyeltük és összehasonlítottuk a modell által adott és a valós eszközön mért motoráramokat. Kezdetben az áramgörbék specifikus különbségeket mutattak. Ezen eltérések elemzése után, a kiváltó okokként a csuklósúrlódást, a reduktor-öntartást és a fogaskerék-kottyanást határoztuk meg. A jelenségek paramétereit Swarm-optimalizálással fejeztük ki. A folyamat eredményeként létrejött a robot validált modellje. Az említett mechanikai tulajdonságokat lépésről lépésre azonosítottuk, mely folyamat során az egyik tulajdonság segített a másik felfedezésében. A robotmodellt MATLAB/SIMULINK környezetben hoztuk létre, a Simscape Multibody Toolbox segítségével.

A modell elkészítése során részletesen kidolgoztuk az elektronikus és mechanikai elemeket is. A modelltől kapott eredmények (csuklóáramok) kezdetben nagyobb eltérést mutattak a tényleges rendszer mérési eredményeivel összevetve. A validálás során az eltérések okainak azonosítása és ezek paramétereinek optimalizálása után, az ezekből fakadó hibák jelentősen csökkentek. Az validálást megelőzően a három csukló teljesítménymutatói (fitness-függvény – MAE/M) 54,0% (Link1), 65,0% (Link2) és 49,7% (Link3) voltak. A validálás után ezek az értékek 12,6%-ra, 18,9%-ra és 10,3%-ra csökkentek.

SZABAD(KA) III MECHANIKAI ÉS ELEKTRONIKAI FELÉPÍTÉSE

A Szabad(ka) III robotot moduláris felépítésűre terveztük. Ennek lényege, hogy a lábak és a test egymástól függetlenül változtathatóak, illetve bővíthetőek. Ezt figyelembe véve, a fejlesztés folyamán először egy lábanként 3 DOF-os (szabadságfokos) változat kerül megvalósításra és ez lesz később kibővítve négy szabadságfokúra.

A robotláb a robot legösszetettebb mechanikai szerkezeti eleme. A láb szerves részei egy differenciális meghajtó és a tibia-szegmensben található hármass rugócsillapító rendszer. A robot testének feladata, hogy tárolja az elektronikai elemeket és az akkumulátort, illetve megfelelő felületet (platform) biztosítson a később implementálandó szenzorok (IMU, LIDAR, RGB/RGBD kamera) rögzítéséhez. A test méreteire vonatkozóan annak hosszát, valamint az elülső és a hátulsó lábpárok közötti távolságot határoztuk meg. A robottal szemben támasztott további elvárás, hogy képes legyen 2 kg hasznos teher szállítására.

A lábakban található motorok meghajtását és szabályzását, valamint a szenzorok jeleinek feldolgozását hat darab, saját tervezésű meghajtólap végzi. A lapok központi eleme egy STM32F401 Dynamic Efficiency mikrovezérlő. A meghajtásért laponként 3 darab DRV8801-meghajtó felel. A lábban található érzékelőket a motormeghajtóval SPI, USART, I2C és analóg interfészeken lehet összekötni. A tibiába integrált erőmérő szenzor feladata a talajérintkezés érzékelése, a gyorsulásmérő szenzor pedig az ütközés észlelését végzi.

SZABAD(KA) III ROBOTMODELL

A *Szabad(ka) III* modellt hasonlóan építettük meg, mint az előző modellt, ezért a folyamatot itt nem részletezzük.

A modell **mechanikai elemeit** két csoportba lehet sorolni. Ezek:

- az előre megtervezett elemek (a testet és a femurt összekötő kéttengelyes differenciális csukló és a femur és a tibia közötti csukló), valamint
- a változtatható paraméterű elemek (a tibia- és femur-szegmensek, illetve maga a test).

Az előre megtervezett, összetett elemeket SolidWorksben realizáltuk, majd Simscape Multibody Link segítségével importáltuk a Multibody-modellbe. A változtatható paraméterű, egyszerű elemeket a Multibody-modellben hoztuk létre.

A rendszer mechanikai leírása mellett, a modell tartalmazza a motorok és a reduktorok részletes mechatronikai definícióját is. Ezenfelül, szoftveres oldalról, a modell részét képezik a mozgásalgoritmus-, illetve a motorszabályzó alrendszerek is.

A mozgásalgorithmus-alrendszer (Gait Algorithm) egy Matlab-kódot futtat le 100 Hz-es frekvenciával, melynek feladata a talpak pozícióinak meghatározása és az inverz kinematikai számítások elvégzése. A rendszer három járásmódot tud szimulálni (wave, ripple és tripod), valamint beállítható benne a lépés hossza, magassága és a pálya eltolása. A kimenetet a motorok szögpozíciói képezik.

A motorszabályzó-alrendszer egy PID-szabályzót és annak akkumulátor-modelljét tartalmazza. A PID-szabályzó rész bemenetei az elvárt és a valós csuklópozíciók, míg a kimenetei pedig a motorfeszültségek. Az akkumulátor-modellrész bemenete a motorok által felvett áram, a kimenete pedig az akkumulátor belső ellenállása alapján számított valós feszültség.

A modell legtöbb releváns paramétere változtatható. Az optimalizálás által változtatható paraméterek kezdőértékei korábbi tapasztalatok alapján, az optimalizálás által megengedett határok pedig a racionális keretek között lettek meghatározva.

Egyes paraméterek értéke fix, vagyis optimalizálás által nem változtatható. A robot testének hossza (a két szélső coxa-coxa csatlakozási pontok közötti távolság) egy előre megadott feltétel volt. A test elektronikájának (hozzávetőleges) méreteit és tömegét, valamint az akkumulátor paramétereit szintén előre meg lehetett határozni. A talp és a talaj közötti kapcsolat csúszásmentes, ezért a talp súrlódási paramétere is állandó. A csuklóknak jelentkező súrlódás meghatározása a korábban elvégzett validálás során történt meg. A szimulációk által generált eredmények a következők: Energiafogyasztás, Dexterity, Transzlációs mozgás, Rotációs mozgás, Motornyomatékok.

AZ OPTIMALIZÁLÁS PROBLÉMÁI

Az optimalizálás elvégzéséhez egyrészt szükséges egy megfelelően működő, lehetőleg validált modell, másrészt pedig meg kell határozni az optimalizálás célját, az optimalizálandó paramétereket, valamint az optimalizálási tesztkörnyezetet.

A Szabad(ka) III robot esetében a validált modell adott, mivel korábban elkészült a Szabad(ka) II robot validálása, ami minden elektromechanikai jelenséget figyelembe vett. A Szabad(ka) III modell elődjének validált eredményei alapján épült. Ezután következett a cél, a paraméterek, illetve a tesztkörnyezet meghatározása.

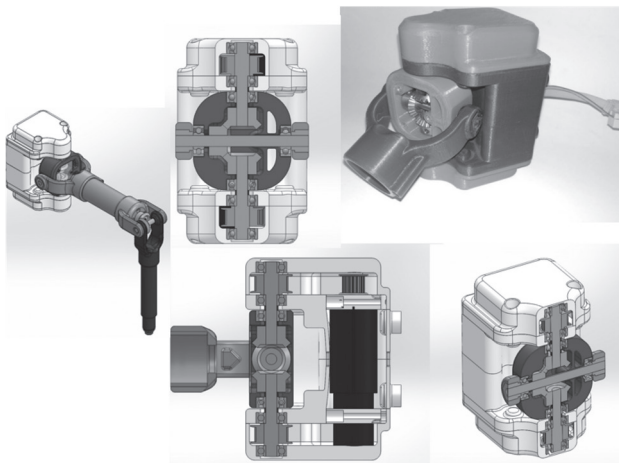
A Szabad(ka) III robot optimalizálásnak célja a legmegfelelőbb elektro-mechanikai elemek kiválasztása és az ideális mechanikai szerkezet létrehozása. A célok konkrét meghatározása (azaz a fitness-függvény leírása) azonban nem egyértelmű folyamat. A célok, részletesebben kifejtve, a következő tételekre bonthatók:

- az energiafogyasztás minimalizálása,
- a tömeg minimalizálása,

- a sebesség és mozgékonyság maximalizálása,
- a test nem kívánt mozgásának minimalizálása,
- a szerkezetet érő káros behatások minimalizálása,
- a csuklónyomatékok közötti különbségek minimalizálása.

A korábbi kutatások során meghatároztuk, hogy a robotnak hatlábúnak kell lennie, amivel ideális arányt lehet elérni a stabilitás, a redundancia és a haladási sebesség terén. Ezenfelül, a hatlábú robotok rendelkeznek bizonyos szintű mechanikai hibátűréssel is, azaz megfelelő hibátűrő járásalgoritmus és adaptív járástervezés alkalmazásával meghibásodott lábbal is képesek járni.

17. ábra. Robotláb és a differenciális robotcsukló és metszeti képei



A lábak elrendezése alapján három szerkezeti koncepció különböztethető meg:

- tengelyszimmetrikus (axisymmetric),
- csak a hosszanti (longitudinális) tengely mentén szimmetrikus, illetve
- a hosszanti (longitudinális) és az oldalirányú (laterális) tengely mentén szimmetrikus felépítést.

A tengelyszimmetrikus elrendezést omnidirekcionális járású robotok esetén érdemes alkalmazni. Ez a járásmód a *Szabad(ka) III* esetén nem volt fontos szempont, ezért ezt a megoldást elvetettük. A robot egyenes irányú járásra lesz optimalizálva, természetesen az elfordulás lehetősége mellett. Fennmaradt a

kérdés, hogy van-e előnye a rovarvilágban is elterjedt, csak hosszanti szimmetriának. Hogy szükséges-e, illetve, hogy milyen mértékű előnyt eredményez a robot eleje és a hátulja közötti aszimmetria, az szintén az optimalizálással dönthető el. A kétszeres aszimmetria egyik célja lehet az előredőlés jelensége, esetleg a ferde talajon vagy lépcsőn történő mászás kezelése.

Az optimalizálандó paramétereket három nagyobb csoportra oszthatjuk. Ezek a szerkezeti-, a rugózási- és a járásalgoritmus-paraméterek.

Az optimalizálás elvégzéséhez meg kell határozni a megfelelő tesztkörnyezeteket. A Szabadk(ka) III esetében elsősorban a következő tényezőket kellett definiálni:

- a robot haladási sebessége,
- a terep jellemzői,
- a kiválasztott járásalgoritmus.

A szimulációt olyan haladási sebesség mellett érdemes futtatni, amely sebességet egyrészt gyakran használjuk, másrészt megfelelően magas ahhoz, hogy az extrém igénybevételre jellemző fizikai jelenségek is megnyilvánuljanak. Ezért az a legmagasabb sebesség lett kiválasztva, melynél a robot még hiba (deformáció) nélkül tudja követni a talp pályáját.

A terep jellemzői közé a következők tartoznak:

- a talaj csúszása (talaj és a talp közötti súrlódás),
- a talaj meredeksége (a vízszintes és a talaj síkja által bezárt szög),
- a talajon található akadályok jellege és mérete.

OPTIMALIZÁLÁS

Az optimalizálás célja (fitness-függvény) fejezet meghatározott egy részletes fitness-függvényt, mely minden ismert és releváns optimalizálási szempontot figyelembe vesz. Azonban, ha az optimalizálás minden céllal egyszerre foglalkozna, egy olyan összetett rendszer jönne létre, amelynél nehéz lenne áttekinteni a paraméterek, illetve a célok közötti összefüggéseket. Emiatt érdemes szelektálni, illetve csoportokra bontani a célokat. Az itt bemutatott optimalizálás során a magasabb prioritású célokat valósítottuk meg. Ezek a célok a következők:

- Az energiafogyasztás minimalizálása, ami egy egyértelműen fontos és általános cél.
- A sebesség és a mozgékonyág elérése, ami ebben az esetben egy előre meghatározott feltétel, melyet a robotnak feltétlenül teljesítenie kell a megfelelő működéshez.
- A test nem kívánt mozgásának minimalizálása szintén fontos, mivel a robot szenzorokkal és kamerákkal lesz felszerelve. A szenzorok jellege alapján a rotációs mozgásokat vesszük figyelembe.

Az optimalizálást a PSO (Particle Swarm Optimization) segítségével végeztük. Az optimalizálás során a generációk száma és a populáció mérete is 100–100 volt. Az optimalizálás eredményei (összehasonlítva az alapértelmezett paraméterekkel) az 1. táblázatban láthatók:

1. táblázat

Fitnesz-függvény	Eredeti szerkezet	Optimalizált szerkezet	A hiba csökkenése
Energia	2881 J/m	2090 J/m	27.46 %
Rotációs mozgás	0.3845 degree	0.0401 degree	89.57 %
Dexterity	successful	successful	0

A két szerkezet közötti eltérés talán különösebben nem szembetűnő, a következő jellegzetességeket azonban ki lehet emelni. A robot teste közelebb került a talajhoz, ami által a gravitációs középpont is lejjebb került. A femur-szegmensek hossza csökkent, a tibia-szegmensek hossza megnövekedett. Ennek következtében a lábak állása jobban hasonlít a rovarok esetében jellegzetes M-alakra (M-shape). A stabilitásra hathat még, hogy a középső lábak csatlakoztatása és a pályája távolabb került a testtől, és hogy a rugók rugóállandója a megengedett maximumhoz közelít.

Ahogy a táblázatban is látható, az Energia-fitnesz-függvény értéke 27,46%, a Rotációsmozgás-fitnesz-függvény értéke pedig 89.57% százalékkal csökkent.

266.4 kJ energiát tároló akkumulátorral az optimalizálás előtti 2881 J/m energiafogyasztással 92, az optimalizálás utáni 2090 J/m értékkel pedig 127 méter távolságot tud egy töltéssel megtenni a robot. Az eredeti érték közel tíz százalékára csökkent rotációs mozgás pedig nagyon nagy jelentőséggel bír a roboton elhelyezett szenzorok által szolgáltatott adatok mérésében.

Köszönetnyilvánítás

A közlemény megjelenését az EFOP-3.6.1-16-2016- 00003 „K+F+I folyamatok hosszú távú megerősítése a Dunaújvárosi Egyetemen” című projekt támogatta.

Galéria

Bakos Miklós fotói

